

- > **Port size: 1/4" ... 3/4" (ISO G/PTF)**
- > **Assists machine designers in complying with the European Machineries Directive**
- > **Controlled increase of downstream pressure on start up**
- > **Solenoid, air pilot or manual operator**
- > **High forward flow and capacity dump facility**



Technical features

Medium:

Compressed air only

Operating pressure:

3 bar (43 psi) minimum
 10 bar (145 psi) (Solenoid operated)
 17 bar (246 psi) (Pilot operated)

Snap pressure:

Full flow when downstream pressure reaches 50 ... 80% of inlet pressure

Charge time:

For 2 litre downstream volume and 6,3 bar (90 psi) inlet pressure
 0,2 sec. minimum
 75 sec. maximum

Flow:

57 dm³/s
 Operating pressure: 6,3 bar (91 psi)
 Δp: 0,5 bar (7 psi)

Port sizes:

1/4", 3/8", 1/2" or 3/4"

Air pilot port:

1/4 PTF with PTF main ports
 Rc1/4 with ISO G main ports

Exhaust port:

1/2 PTF with PTF main ports
 G1/2 with ISO G main ports

Gauge port:

1/8 PTF with PTF main ports
 Rc1/8 with ISO G main ports

Ambient/Media temperature:

Solenoid actuated:
 -20° ... +50°C (-4° ... +122°F)
 Pilot actuated:
 -20° ... +80°C (-4° ... +176°F)
 Version with gauge:
 -20° ... +65°C (-4° ... +149°F)
 Air supply must be dry enough to avoid ice formation at temperatures below +2°C (+35°F).

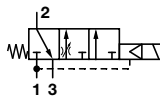
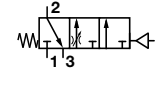
Materials:

Body & yoke: Zinc alloy
 Intermediate body: Aluminium
 Top plate: Zinc
 Elastomers: NBR

Electrical details for solenoid operators


Voltage tolerance	± 10%
Rating	100% continuous duty
Inlet orifice	1,0 mm
Electrical connection	Industrial Standard, 22 mm
Solenoid coil mounting	Four positions x 90°
Protection class	IP 65 (with sealed plug)

Technical data - standard models

Symbol	Port size	Size	Actuation/return	Voltage	Pilot port	Weight (kg)	Typ
	G1/4	—	Solenoid/spring	24 V d.c.	—	2,07	P64F-2GC-PFN *1)
	G3/8	—	Solenoid/spring	24 V d.c.	—	2,05	P64F-3GC-PFN *1)
	G1/2	Basic	Solenoid/spring	24 V d.c.	—	2,02	P64F-4GC-PFN *1)
	G3/4	—	Solenoid/spring	24 V d.c.	—	2,38	P64F-6GC-PFN *1)
	Without yoke	—	Solenoid/spring	24 V d.c.	—	1,59	P64F-NNC-PFN *1)
	G1/4	—	Air/spring	—	Rc1/4	1,69	P64F-2GA-NNN
	G3/8	—	Air/spring	—	Rc1/4	1,94	P64F-3GA-NNN
	G1/2	Basic	Air/spring	—	Rc1/4	1,91	P64F-4GA-NNN
	G3/4	—	Air/spring	—	Rc1/4	2,27	P64F-6GA-NNN
	Without yoke	—	Air/spring	—	Rc1/4	1,45	P64F-NNA-NNN

*1) To select other solenoid type and coil voltage refer to option selector on page 2

Voltage codes and spare coils

22 mm coil for connector interface acc. to industrial standard				
	Voltage	Power Inrush/Hold	Model	Code
	12 V d.c.	2 W	QM/48/12J/21	12J
	24 V d.c.	2 W	QM/48/13J/21	13J
	110/120 V 50/60 Hz	4/2,5 VA	QM/48/18J/21	18J
	220/240 V 50/60 Hz	6/5,0 VA	QM/48/19J/21	19J

Connector plugs



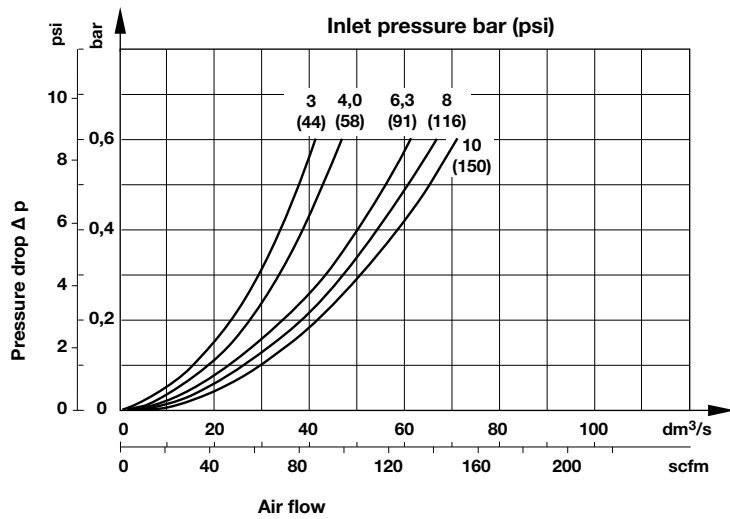
Option selector

P64F-★-★-★-★-★-★

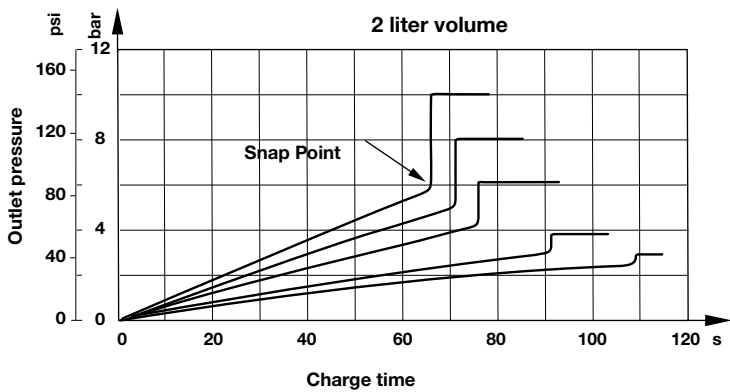
Port size	Substitute
1/4"	2
3/8"	3
1/2"	4
3/4"	6
No yoke	N
Threads	Substitute
PTF	A
ISO G parallel (standard)	G
No yoke (standard)	N
Operator	Substitute
Air pilot (standard)	A
Air pilot with manual lockout	B
22 mm solenoid (standard)	C
22 mm solenoid with manual lockout	D

Connector	Substitute	
With	A	
Without	N	
Voltage	Watts	Substitute
24 V d.c.	2 W	F
12 V d.c.	2 W	E
6 V d.c.	2 W	D
220/240 V, 50/60 Hz	4/2,5 VA	B
110/120 V, 50/60 Hz	4/2,5 VA	A
No coil	-	Z
No solenoid	-	N
Solenoid manual operator	Substitute	
Non-locking, shrouded push button	P	
None	N	

Flow characteristics







Maximum charge time



Accessories


	Models with G-thread Single yoke	Double yoke	3/2 Shut-off valve Threaded inlet only	Threaded outlet only	End connector kit	Rear entry bracket kit
Thread						
G1/4	Y64A-2GA-N1N	Y64A-2GA-N2N	T64T-2GB-P1N	T64T-2GC-P1N	—	—
G3/8	Y64A-3GA-N1N	Y64A-3GA-N2N	T64T-3GB-P1N	T64T-3GC-P1N	—	—
G1/2	Y64A-4GA-N1N	Y64A-4GA-N2N	T64T-4GB-P1N	T64T-4GC-P1N	74505-50	—
G3/4	Y64A-6GA-N1N*	Y64A-6GA-N2N*	T64T-6GB-P1N	T64T-6GC-P1N	74505-53	18-026-981
1/4 PTF	Y64A-2AA-N1N	Y64A-2AA-N2N	T64T-2AB-P1N	T64T-2AC-P1N	—	—
3/8 PTF	Y64A-3AA-N1N	Y64A-3AA-N2N	T64T-3AB-P1N	T64T-3AC-P1N	—	—
1/2 PTF	Y64A-4AA-N1N	Y64A-4AA-N2N	T64T-4AB-P1N	T64T-4AC-P1N	74505-52	—
3/4 PTF	Y64A-6AA-N1N*	Y64A-6AA-N2N*	T64T-6AB-P1N	T64T-6AC-P1N	74505-55	—

*These yokes are supplied with two end connector kits as standard.

Bracket mounting	Nut	Silencer	Yoke connector kit	Porting block	Adjustable pressure switch	Padlock with two keys
						
74504-50	74502-89	MB004B (R1/2) MB004A (1/2 NPT)	74503-51	74507-50	4346-99	0613633 (brass)

Gauges

Center back connection, white face (full technical specification see datasheet 8.900.900)

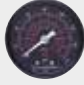


6

Pressure range bar *1	MPa	psi	Ø	Thread size	Model
0 ... 10	0 ... 1	0 ... 145	50 mm	R1/8	18-013-013
0 ... 25	0 ... 2,5	0 ... 362	50 mm	R1/8	18-013-014

*1) primary scale

Center back connection, black face for North America (full technical specification see datasheet 8.900.900)



6

Pressure range psig *1	bar	MPa	Ø	Thread size	Model
0 ... 160	0 ... 11	0 ... 1.1	2" (50 mm)	1/8 NPT	18-013-204
0 ... 400	0 ... 28	0 ... 2.8	2" (50 mm)	1/8 NPT	18-013-206

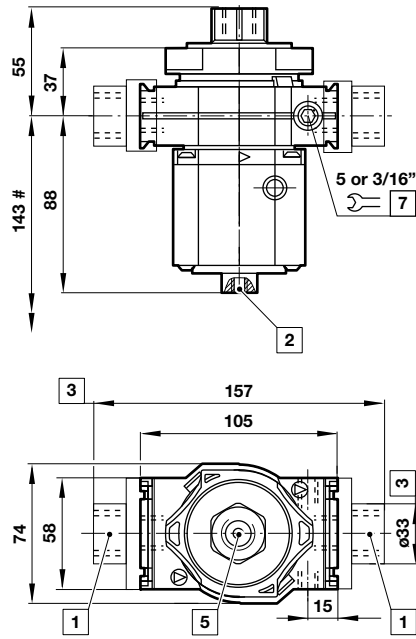
*1) primary scale

Dimensions

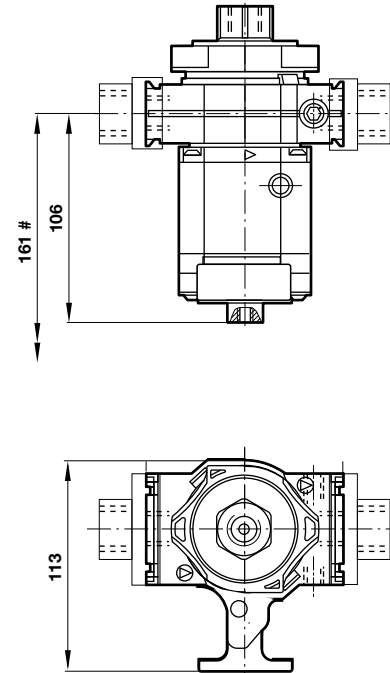
Dimensions in mm
Projection/First angle



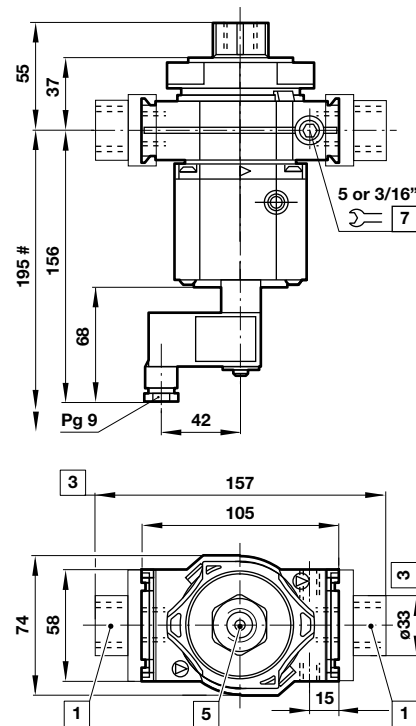
**Pilot actuated
Standard**



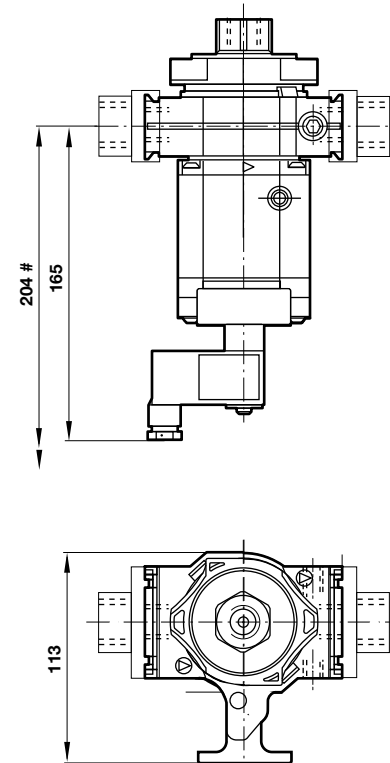
With manual lockout



**Solenoid actuated
Standard**



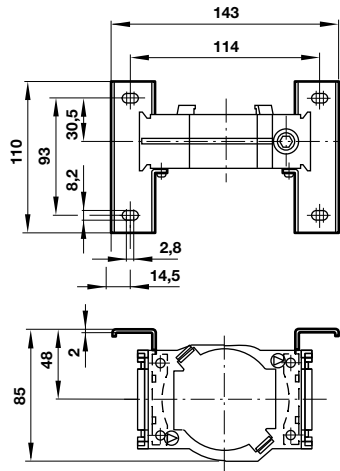
With manual lockout



Minimum clearance required to remove unit from yoke

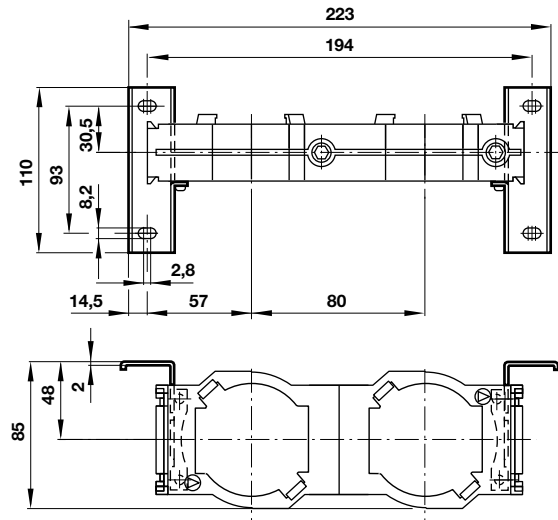
- 1 Main ports 1/4", 3/8", 1/2" or 3/4"
- 2 Pilot port Rc1/4
- 3 For main ports 3/4" only
- 5 Exhaust port 1/2"
- 7 Gauge port 1/8"

Single yoke with bracket mounting

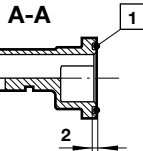
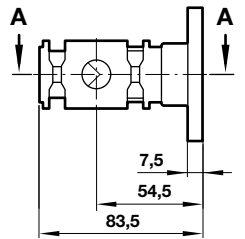
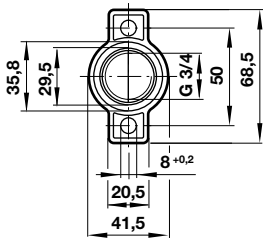


Double yoke with bracket mounting

Dimensions in mm
Projection/First angle

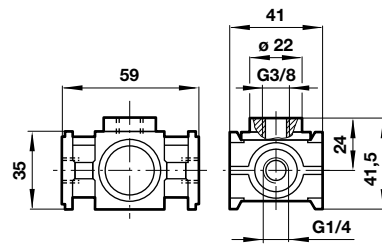


Rear entry bracket 18-026-981



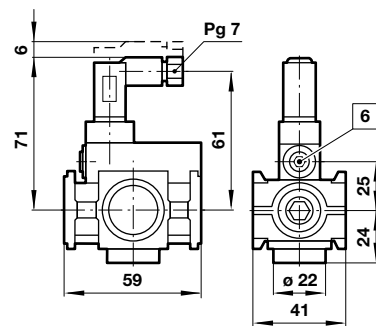
1 O'-ring (included in scope of supply of bracket)

Porting block 74507-50



Adjustable pressure switch 4346-99

Voltage	24 V d.c./240 V a.c.
Current	0,5 A (d.c.); 5 A (a.c.)
Pressure range	2 ... 10 bar
Repeatability	2% of full set point range at 20°C
Average deadband	0,8 ... 1,7 bar
Electrical connection (corresponding to chosen coil)	EN 175301-803 - Form C, 15 mm
Degree of protection:	IP65
Adjustable	Standard
Material	Body: Aluminium, Elastomers: NBR

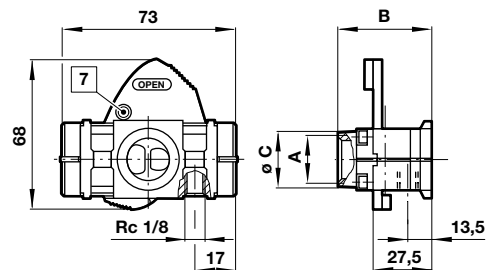


6 Adjusting screw

3/2 Shut-off valve

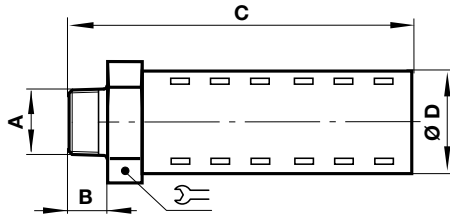
Symbol	A	B	ø C	Model
	G1/4	48	27	T64T-2G*-P1N
	G3/8	48	27	T64T-3G*-P1N
	G1/2	48	27	T64T-4G*-P1N
	G3/4	51	33	T64T-6G*-P1N

* B = Threaded inlet only, C = Threaded outlet only



7 Padlock hole ø7,5 mm

Silencer



Dimensions in mm
Projection/First angle



A	B	C	D		Model
R1/2	17	92	32	32	MB004B
1/2 NPT	17	92	32	32	MB004A

Warning

These products are intended for use in industrial compressed air systems only. Do not use these products where pressures and temperatures can exceed those listed under

»Technical features/data«.

Before using these products with fluids other than those specified, for non-industrial applications, life-support systems or other applications not within published specifications, consult IMI Precision Engineering, Norgren GmbH. Through misuse, age, or malfunction, components used in fluid power systems can fail in various modes.

The system designer is warned to consider the failure modes of all component parts used in fluid power systems and to provide adequate safeguards to prevent personal injury or damage to equipment in the event of such failure.

System designers must provide a warning to end users in the system instructional manual if protection against a failure mode cannot be adequately provided.

System designers and end users are cautioned to review specific warnings found in instruction sheets packed and shipped with these products.

- > **Port size: Unthreaded Ports, 1/2" basic size**
- > **Excelon design allows in-line installation or modular installation with other Excelon products**
- > **Solenoid or air pilot actuated**
- > **Customised poppets for long service life**
- > **High flow spring return**



Technical features

Medium:

Compressed air only

Operating pressure:

3 ... 10 bar (44 ... 145 psi) solenoid actuated

3 ... 17 bar (44 ... 250 psi) pilot actuated

Port size:

Unthreaded

Pilot port:

G1/4 with ISO G main ports

1/4 PTF with PTF main ports

Exhaust port:

G1/2 with ISO G main ports

1/2 PTF with PTF main ports

Flow factor:

2/2 Cv = 4,0

3/2 IN » OUT Cv = 3,2

3/2 OUT » EXHAUST Cv = 5,3

Flow direction:

2/2 NC: A » B

2/2 NO: A » B

3/2: B » A

Ambient/Media temperature:

Solenoid operated:

Depending on solenoid rating

-20° ... +50°C (+4° ... +122°F)

Pilot operated

-20° ... +80°C (+4° ... +176°F)

Version with gauge:

-20° ... +65°C (+4° ... +149°F)

Air supply must be dry enough

to avoid ice formation at

temperatures below +2°C (+35°F).

Materials:

Body: Zinc

Elastomers: Synthetic materials

Internal components: Aluminium

Electrical details for solenoid operators

Voltage tolerance	± 10%
Rating	100% continuous duty
Inlet orifice	1,0 mm
Electrical connection	Industrial Standard, 22 mm
Solenoid coil mounting	Four positions x 90°
Protection class	IP 65 (with sealed plug)

Technical data - standard models

Symbol	Port size *1)	Size	Actuation/return	Operating pressure (bar)	Pilot pressure (bar)	Voltage	Gewicht (kg)	Drawing No.	Model
	1/2"	Basic	Air pilot/Spring	3 ... 17	3 ... 17	—	0,54	1	P74A-NGA-NNN
	1/2"	Basic	Air pilot/Spring	3 ... 17	3 ... 17	—	0,54	1	P74B-NGA-NNN
	1/2"	Basic	Air pilot/Spring	3 ... 17	3 ... 17	—	0,54	2	P74C-NGA-NNN
	1/2"	Basic	Solenoid/Spring	3 ... 10	—	24 V d.c.	0,74	3	P74A-NNC-PFA *2)
	1/2"	Basic	Solenoid/Spring	3 ... 10	—	24 V d.c.	0,74	4	P74C-NGC-PFA *2)

*1) Unthreaded

*2) To select other solenoid type and coil voltage refer to option selector on page 2

Option selector


P74★-N★-★-★-★

Function	Substitute
2/2 NC	A
2/2 NO	B
3/2 NC	C
Exhaust port only	Substitute
PTF	A
ISO G parallel (standard)	G
Operator	Substitute
Air pilot *1)	A
22 mm miniature solenoid	C

Connector	Substitute
With	A
Without	N
Coil voltage	Substitute
24 V d.c.	F
12 V d.c.	E
220/240 V a.c.	B
110/120 V a.c.	A
No coil	Z
No solenoid	N
Manual override	Substitute
Push only, spring return	P
Without	N

*1) To order air pilot models also substitute 'NNN' at digits 8, 9 and 10 e.g. P74A-NGA-NNN.

Voltage codes and spare coils

22 mm coil for connector interface acc. to industrial standard				
	Voltage	Power Inrush/Hold	Model	Code
	12 V d.c.	2 W	QM/48/12J/21	12J
	24 V d.c.	2 W	QM/48/13J/21	13J
	110/120 V 50/60 Hz	2,5 VA	QM/48/18J/21	18J
	220/240 V 50/60 Hz	5,0 VA	QM/48/19J/21	19J



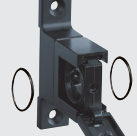




Connector plugs

Industrial standard 22 mm 2-pole + PE



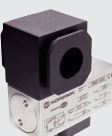


0657868000000000

Accessories

Wall mounting bracket	Quikclamp®	Quikclamp with wall bracket®	Quikmount pipe adaptor *1)	Porting block with three alternative 1/4" ports	2/2 Shut-off valves (for full technical specification see datasheet 8.200.600)	3/2 Shut-off valves (for full technical specification see datasheet 8.200.600)
						
Page 4	Page 3	Page 3	Page 3	Page 3	Page 4	Page 4
4324-50	4314-51	4314-52	G3/8: 4315-10 G1/2: 4315-11 G3/4: 4315-12 3/8 PTF: 4315-02 1/2 PTF: 4315-03 3/4 PTF: 4315-04	G1/4: 4316-52 1/4 PTF: 4316-50	G 3/8: T74B-3GA-P1N G 1/2: T74B-4GA-P1N G 3/4: T74B-6GA-P1N 3/4 PTF: T74B-6AA-P1N	G 3/8: T74T-3GA-P1N G 1/2: T74T-4GA-P1N G 3/4: T74T-6GA-P1N 1/2 PTF: T74T-4AA-P1N 3/4 PTF: T74T-6AA-P1N

*1) Please use a Quikmount pipe adaptor if the Quikclamp be mounted at inlet or outlet side.

Pressure switch

Porting block for pressure switch *1)	Pressure switch (0,5 ... 8 bar)	Connector DIN EN 175301-803 Form A
		
Page 4		
0523110000000000	0881300000000000	0570110000000000

*1) Pressure switch is not in scope of delivery

Silencer



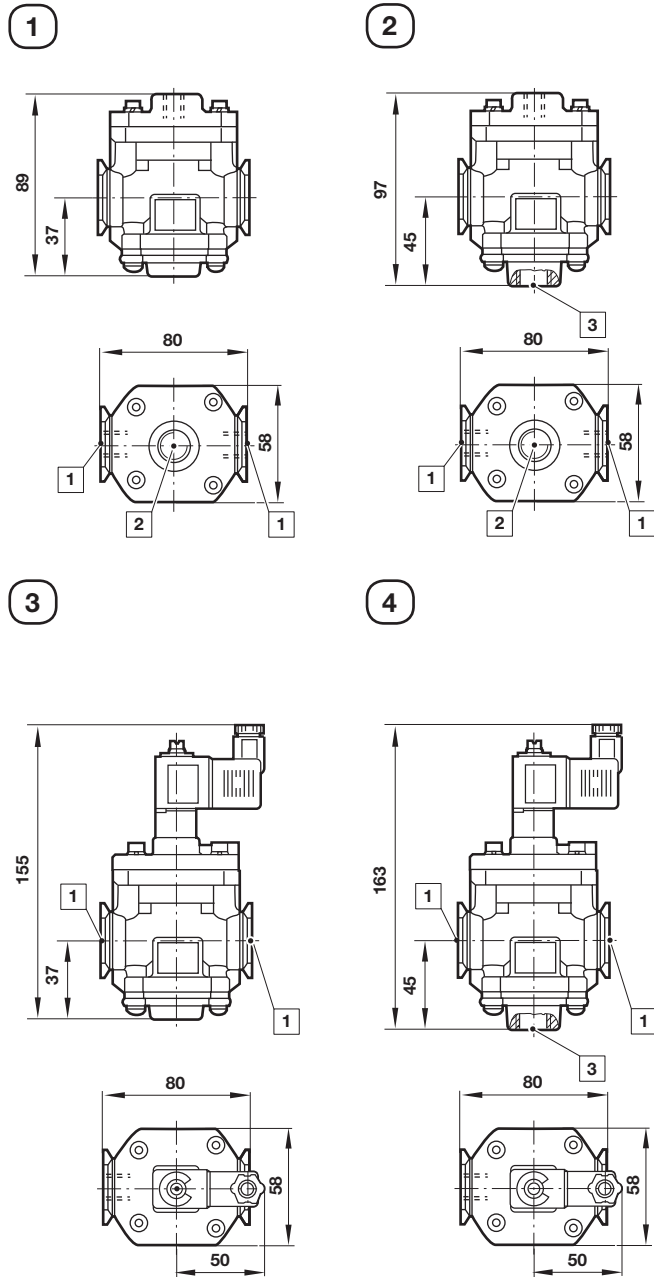
Page 4

R1/2: MB004B
1/2 NPT: MB004A

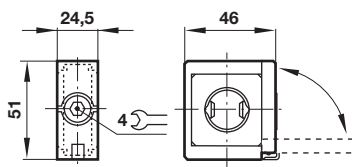
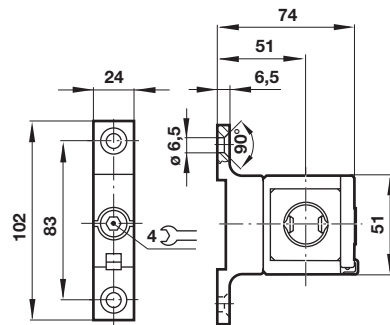
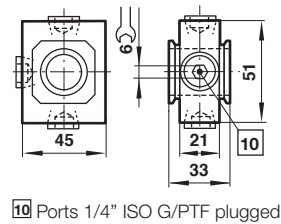
Service kits

Service kit
53474-37
53474-40 (P74C)

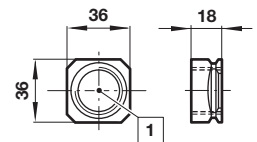
Drawings

 Dimensions in mm
 Projection/First angle


- 1 Unthreaded main port 1/2"
- 2 Pilot port 1/4"
- 3 Exhaust port 1/2"

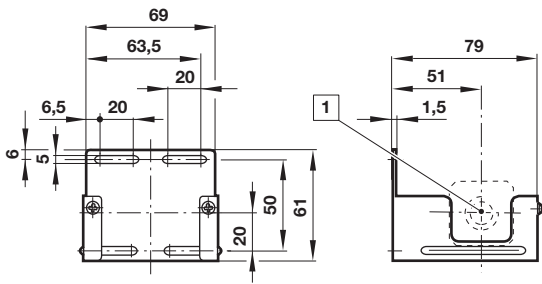
Accessories
Quikclamp®

Quikclamp® with wall bracket

Porting block


- 10 Ports 1/4" ISO G/PTF plugged

Pipe adapter


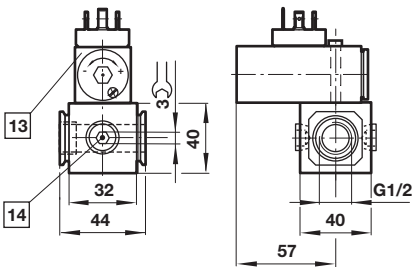
- 1 Main ports 3/8", 1/2" or 3/4" ISO G/PTF

Wall mounting bracket



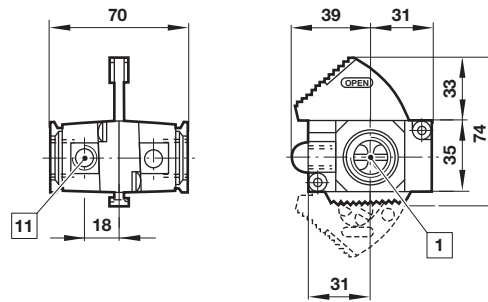
1 Main ports

Porting block for pressure switch



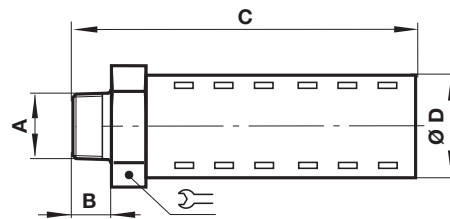
13 Pressure switch is not in scope of delivery
14 Alternative G1/4 ports plugged

Shut-off valves



1 Main ports 3/8", 1/2" or 3/4" ISO G/PTF
11 Exhaust port Rc1/8 at 3/2 valve only

Silencer



A	B	C	D		Model
R1/2	17	92	32	32	MB004B
1/2 NPT	17	92	32	32	MB004A

Dimensions in mm
Projection/First angle



Warning

These products are intended for use in industrial compressed air systems only. Do not use these products where pressures and temperatures can exceed those listed under »**Technical features/data**«.

Before using these products with fluids other than those specified, for non-industrial applications, life-support systems or other applications not within published specifications, consult IMI Precision Engineering, Norgren Inc.

Through misuse, age, or malfunction, components used in fluid power systems can fail in various modes. The system designer is warned to consider the failure modes of all component parts used in fluid power systems and to provide adequate safeguards to prevent personal injury or damage to equipment in the event of such failure.

System designers must provide a warning to end users in the system instructional manual if protection against a failure mode cannot be adequately provided.

System designers and end users are cautioned to review specific warnings found in instruction sheets packed and shipped with these products.

P84F 3/2 Soft Start/Dump Valve Excelon® Plus Modular System



- > Port size: 3/8" ... 3/4" (ISO G/PTF)
- > Excelon® Plus design allows in-line installation or modular installation with other Excelon® Plus products
- > High forward flow capacity
- > Fast Exhausting
- > Variable Snap Adjustment



Technical features

Medium:

Compressed air only

Maximum supply pressure:

10 bar (145 psi)

Minimum operating pressure:

3 bar (43 psi)

Port size:

G3/8, G1/2, G3/4,
3/8 PTF, 1/2 PTF, 3/4 PTF

Flow:

51 dm³/s at port size 1/2"
Full flow P1 to P2 at 6,3 bar
(91 psi) inlet, with 0,5 bar
(7 psi) pressure drop
P2 to P3 = 65 dm³/s.

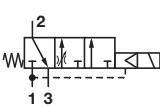
Ambient/Media temperature:

-20 ... +65°C (-4 ... +149°F)
Air supply must be dry
enough to avoid ice
formation at temperatures
below +2°C (+35°F).

Materials:

Body: Aluminium
End Caps: Aluminium
Body covers: ABS
Elastomers: NBR
Valve: Brass

Technical data P84F

Symbol	Port Size	Function	Voltage	Exhaust Port	Weight (kg)	Model
	G3/8	3/2 Soft start / Dump	24 V d.c.	G1/2	1,0	P84F-3GT-PFN
	G1/2	3/2 Soft start / Dump	24 V d.c.	G1/2	1,0	P84F-4GT-PFN
	G3/4	3/2 Soft start / Dump	24 V d.c.	G1/2	1,0	P84F-6GT-PFN

Electrical details for solenoid operators

Voltage tolerance:	-10%/+15%
Rating:	100% continuous duty
Inlet orifice:	0,8mm
Electrical connection:	15mm DIN EN 175301-803 (DIN 43650) Form C
Manual override:	Shrouded push button, spring return
Protection class:	IP65
Materials:	PP5 (body), NBR (seals)

Option selector

P84F-★ ★ T -P★ N

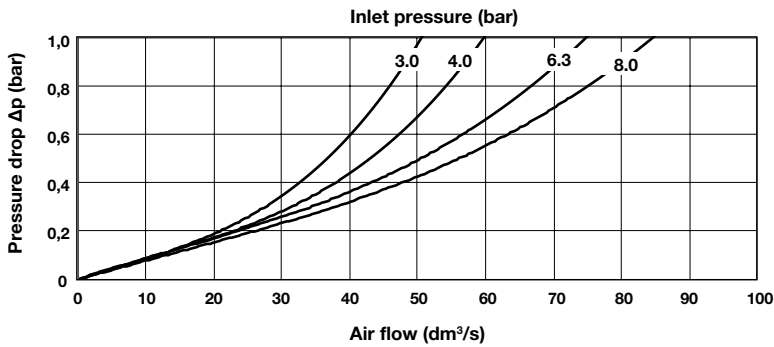
Function	Substitute
3/2 Soft start / Dump	F
Port Size	Substitute
3/8"	3
1/2"	4
3/4"	6
Thread Form	Substitute
PTF	A
ISO G	G

Voltage	Substitute
24 V d.c.	F
110 V a.c.	A
220 V a.c.	B

Flow characteristics

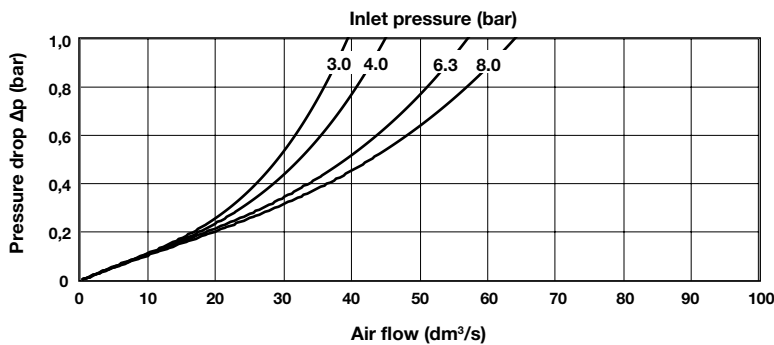
Port 1 to 2

Port size: 1/2"



Port 1 to 2

Port size: 3/8"



Accessories

Connection cable with plug, LED and M12 Female



Description	Cable length (m)	Model
PUR-Cable; M12/valve type C DIN connector	0,6	NC-DINCA-123MS-A
	1	NC-DINCA-123MS-1
	2	NC-DINCA-123MS-2
	5	NC-DINCA-123MS-5

Plug with with moulded cable and indicator



Voltage	Cable length (m)	Model
12 - 24 V a.c. / d.c	1	V10014-D01
12 - 24 V a.c. / d.c	3	V10014-D03
110 V a.c. / d.c.	1	V10015-D01
110 V a.c. / d.c.	3	V10015-D03
220 V a.c. / d.c	1	V10016-D01
220 V a.c. / d.c	3	V10016-D03

Plug with moulded cable



Description	Cable length (m)	Model
3 pin plug with moulded cable	1	V10013-D01
3 pin plug with moulded cable	3	V10013-D03

Light Emitting Seals ,15mm form C



Description	Model
Light Emitting Seals Circuit A (12 - 24 V d.c.)	V10037-E13
Light Emitting Seals Circuit B (110 - 120 V a.c.)	V10037-E18
Light Emitting Seals Circuit B (220 - 240 V a.c.)	V10037-E19

Plug with cable gland and indicator



Description	Model
Plug with cable gland and indicator 12-24 V a.c. / d.c., c/w LED / VDR	V10012-D13
Plug with cable gland and indicator 110 V a.c. / d.c., c/w LED / VDR	V10012-D18
Plug with cable gland and indicator 220 V a.c. / d.c., c/w LED / VDR	V10012-D19

M12 Adaptor Top - MSUP Valve Plug Form C 8MM



7000-42831-0000000

M12 Adaptor Rear - MSUP Valve Plug Form C 8MM







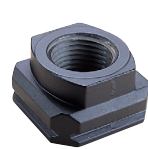


7000-42811-0000000

Plug with cable gland













V10027-D00

Accessories




Quikclamp®  Page 6 840014-51KIT	Quikclamp® with bracket assembled  Page 6 840014-52KIT	Pressure sensing block 1/4 PTF  Page 6 840016-50KIT	Pressure sensing block G1/4  Page 6 840016-51KIT	Port Adaptors  Page 7 <table border="1"> <tr><td>3/8 PTF</td><td>840015-02KIT</td></tr> <tr><td>1/2 PTF</td><td>840015-03KIT</td></tr> <tr><td>3/4 PTF</td><td>840015-04KIT</td></tr> <tr><td>G3/8</td><td>840015-10KIT</td></tr> <tr><td>G1/2</td><td>840015-11KIT</td></tr> <tr><td>G3/4</td><td>840015-12KIT</td></tr> </table>	3/8 PTF	840015-02KIT	1/2 PTF	840015-03KIT	3/4 PTF	840015-04KIT	G3/8	840015-10KIT	G1/2	840015-11KIT	G3/4	840015-12KIT
3/8 PTF	840015-02KIT															
1/2 PTF	840015-03KIT															
3/4 PTF	840015-04KIT															
G3/8	840015-10KIT															
G1/2	840015-11KIT															
G3/4	840015-12KIT															
Hybrid Quikclamp® *1  Page 6 840014-61	Hybrid Quikclamp® with bracket assembled *1  Page 6 840014-62															

*1) To connect new Excelon Plus to old Excelon 74/73 units. Having the same hole centres as 74 series mounting bracket.
 A Quikclamp adds 13.6 mm to the overall width of a combination unit

Full flow porting block 3/4" PTF  Page 6 840028-50KIT	Full flow porting block G3/4  Page 6 840028-53KIT	Full flow porting block 3/4" PTF  Page 6 840028-50KIT	Full flow porting block G3/4  Page 6 840028-53KIT	Pressure switch interface block (18D pressure switch) G1/4  Page 8 0337717000000000
Pressure switch 18D (0,5 ... 8bar) *1  Page 8 0881300	Digital pressure switch 51D (-1 ... 10 bar) *2  Page 8 0860810	Electronic Pressure Sensor – stand alone version *3  Q84G	Silencer Heavy duty muffler, 1/2" NPT male thread, brass wire element  MB004A	Heavy duty muffler, R1/2 male thread, brass wire element  MB004B

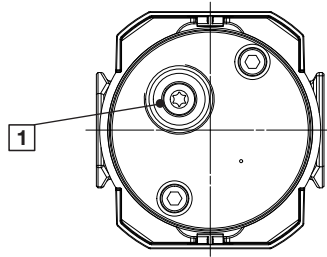
*1) Flanged version. For other pressure ranges, please see data sheet 5.11.001
 *2) For other pressure ranges, please see data sheet 5.11.385
 *3) Q84G standalone electronic pressure sensor module
 see <http://s.norgren.com/digital-gauge-iodd> for data-sheet 8.900.905.

Voltage rating and spare coils

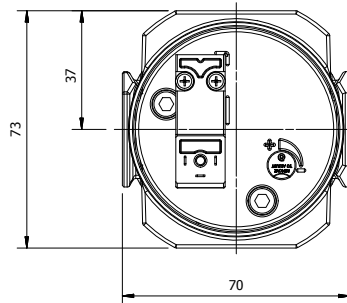
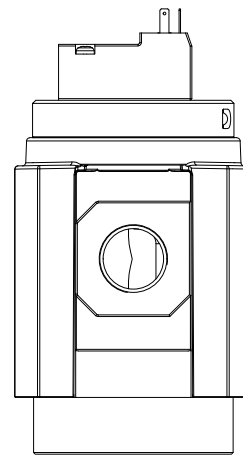
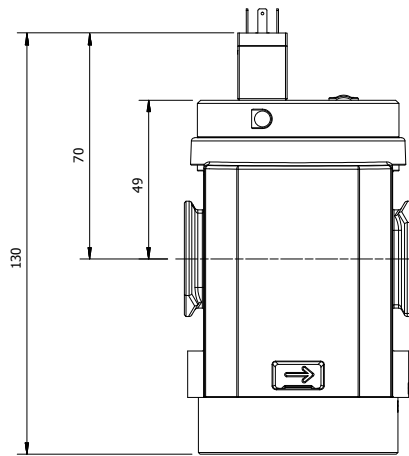
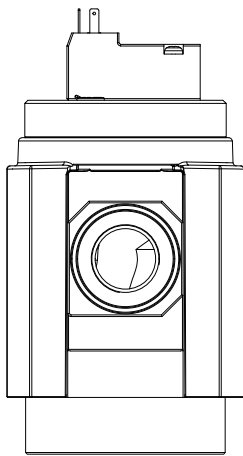
	Voltage	Power	Replacement
	24 V d.c.	1,2 W	840650-50KIT
	110 V a.c.	1,5 VA	840650-51KIT
	220 V a.c.	1,5 VA	840650-52KIT

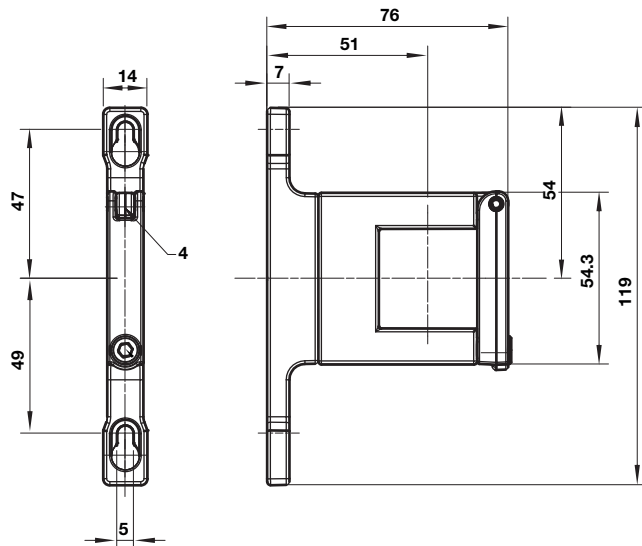
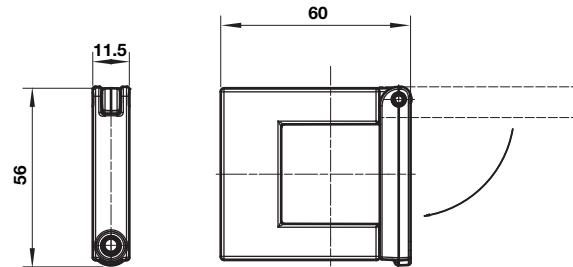
Dimensions

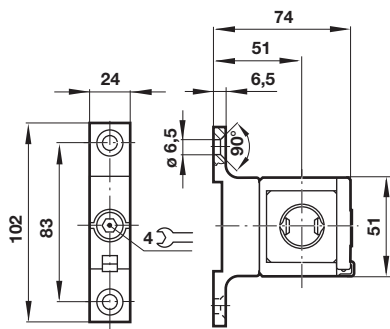
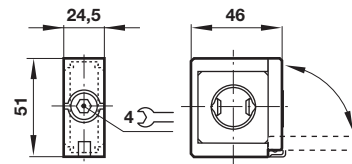
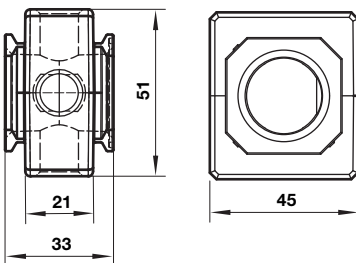
Dimensions in mm
Projection/First angle

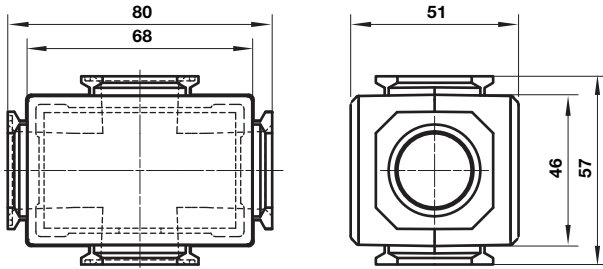


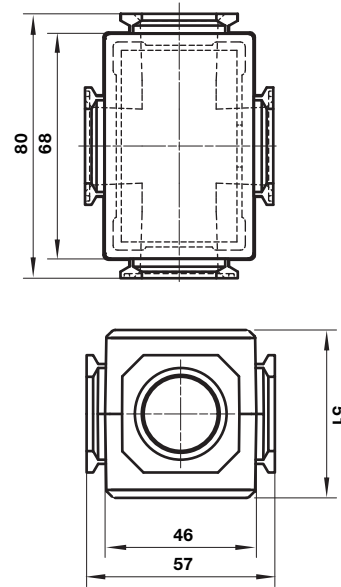
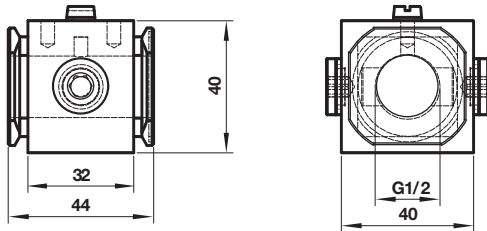
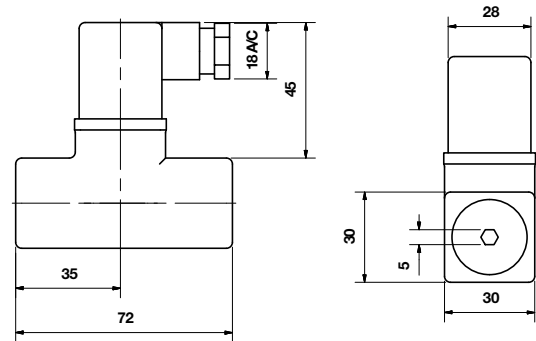
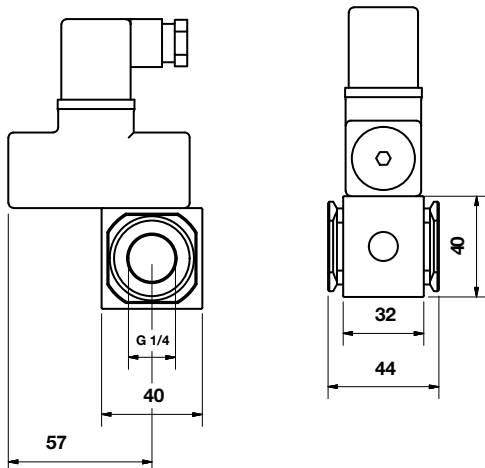
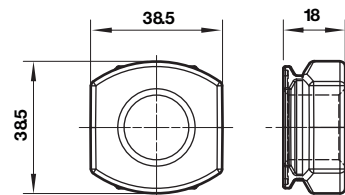
1 1/2" exhaust port (NPT or ISO G)



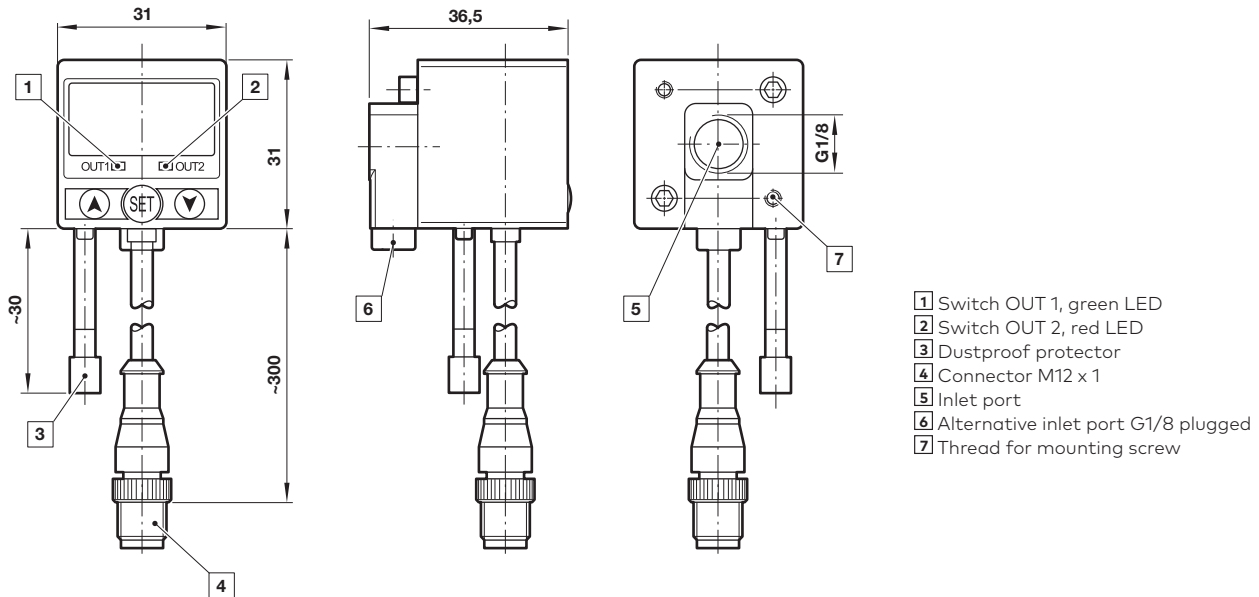
Accessories
Quikclamp® with wall bracket

Quikclamp®

 Dimensions in mm
 Projection/First angle

Hybrid-Quikclamp® with wall bracket

Hybrid-Quikclamp®

Pressure sensing block


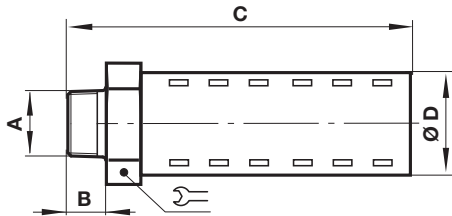
Full flow porting block horizontal

Full flow porting block vertical

 Dimensions in mm
 Projection/First angle

Porting block for 18D pressure switch

18D Pressure switch

**18D Porting block and
18D assembled**

Pipe adaptor


51D Pressure switch - digital



Silencer



A	B	C	D		Model
R1/2	17	92	32	32	MB004B
1/2 NPT	17	92	32	32	MB004A

Warning

These products are intended for use in industrial compressed air systems only. Do not use these products where pressures and temperatures can exceed those listed under »**Technical features/data**«.

Before using these products with fluids other than those specified, for non-industrial applications, life-support systems or other applications not within published specifications, consult Norgren Co. Ltd.

Through misuse, age, or malfunction, components used in fluid power systems can fail in various modes.

The system designer is warned to consider the failure modes of all component parts used in fluid power systems and to provide adequate safeguards to prevent personal injury or damage to equipment in the event of such failure.

System designers must provide a warning to end users in the system instructional manual if protection against a failure mode cannot be adequately provided.

System designers and end users are cautioned to review specific warnings found in instruction sheets packed and shipped with these products.