

- > **Port size: 1/4" ... 3/4" (ISO G/PTF)**
- > **Effective liquid removal and positive solid filtration**
- > **Large filter element area for minimum pressure drop**
- > **Quick release bayonet bowl**



Technical features

Medium:

Compressed air only

Maximum operating pressure:

17 bar (246 psi)

Filter element:

40 µm (standard) 5 µm (optional)

Flow:

See diagrams on page 2

Port sizes:

1/4", 3/8", 1/2" or 3/4"

Drain:

Manual or automatic

Automatic drain conditions:

Pressure to close drain:

> 0,3 bar (4.3 psi)

Pressure to open drain:

< 0,2 bar (2.9 psi)

Minimum air flow to close drain:

0,6 dm³/s (1.3 scfm)

Service life indicator:

Without (standard)

With on request

Bowl size:

0,2 litre (7 fluid oz)

Ambient/Media temperature:

-20° ... +80°C (-4° ... +176°F)

Air supply must be dry enough to avoid ice formation at temperatures below +2°C (+35°F).

Materials:

Body and yoke: Zinc alloy

Connection piece: Aluminium

Metal bowl: Aluminium

Prismatic liquid level indicator:



Grilamid

Filter element: Sintered plastic

Element: Sintered bronze or plastic

Elastomers: NBR

Technical data, standard models

Symbol	Port size	Size	Filter element (µm)	Flow* (dm ³ /s)	Bowl	Drain	Weight (kg)	Model
	G1/4	—	40	33	Metal	Manual	1,42	F64G-2GN-MD3
	G3/8	—	40	66	Metal	Manual	1,42	F64G-3GN-MD3
	G1/2	Basic	40	75	Metal	Manual	1,32	F64G-4GN-MD3
	G3/4	—	40	75	Metal	Manual	1,72	F64G-6GN-MD3
	Without yoke	—	40	—	Metal	Manual	0,92	F64G-NNN-MD3
	G1/4	—	40	33	Metal	Automatic	1,42	F64G-2GN-AD3
	G3/8	—	40	66	Metal	Automatic	1,4	F64G-3GN-AD3
	G1/2	Basic	40	75	Metal	Automatic	1,37	F64G-4GN-AD3
	G3/4	—	40	75	Metal	Automatic	1,73	F64G-6GN-AD3
	Without yoke	—	40	—	Metal	Automatic	0,94	F64G-NNN-AD3

* Typical flow with 10 bar (145 psi) inlet pressure, and 6,3 bar (91 psi) set pressure and 0,5 bar (7.2 psi) drop from set.

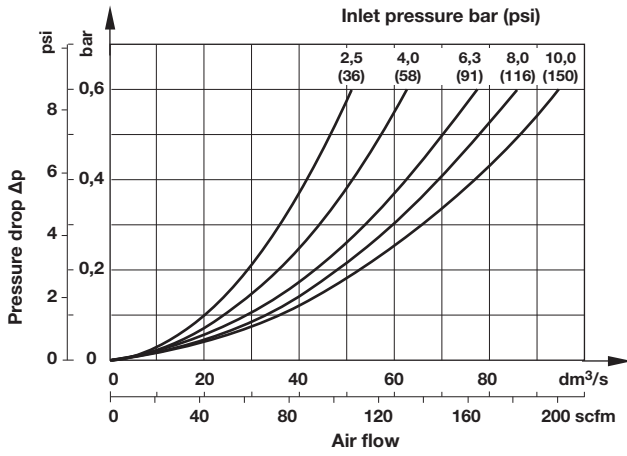
Option selector

F64G-★-★-★-★-★D★

Port size	Substitute	Element	Substitute
1/4"	2	5 µm	1
3/8"	3	40 µm (standard)	3
1/2"	4		
3/4"	6		
Without yoke (standard)	N		
Threads form	Substitute	Drain	Substitute
PTF	A	Automatic	A
ISO G (standard)	G	Manual	M
Without yoke (standard)	N		
		Service life indicator	Substitute
		Mechanical	D
		Without (standard)	N

Flow characteristics

Port size: 1/2"; Filter element 40 µm



Accessories and service kit



Accessories

	Models with G-thread Single yoke	Double yoke	3/2 Shut-off valve Threaded inlet only	Threaded outlet only	End connector kit	Rear entry bracket kit
Thread	5				2	8
G1/4	Y64A-2GA-N1N	Y64A-2GA-N2N	T64T-2GB-P1N	T64T-2GC-P1N	—	—
G3/8	Y64A-3GA-N1N	Y64A-3GA-N2N	T64T-3GB-P1N	T64T-3GC-P1N	—	—
G1/2	Y64A-4GA-N1N	Y64A-4GA-N2N	T64T-4GB-P1N	T64T-4GC-P1N	74505-50	—
G3/4	Y64A-6GA-N1N*	Y64A-6GA-N2N*	T64T-6GB-P1N	T64T-6GC-P1N	74505-53	18-026-981
1/4 PTF	Y64A-2AA-N1N	Y64A-2AA-N2N	T64T-2AB-P1N	T64T-2AC-P1N	—	—
3/8 PTF	Y64A-3AA-N1N	Y64A-3AA-N2N	T64T-3AB-P1N	T64T-3AC-P1N	—	—
1/2 PTF	Y64A-4AA-N1N	Y64A-4AA-N2N	T64T-4AB-P1N	T64T-4AC-P1N	74505-52	—
3/4 PTF	Y64A-6AA-N1N*	Y64A-6AA-N2N*	T64T-6AB-P1N	T64T-6AC-P1N	74505-55	—

*These yokes are supplied with two end connector kits as standard.

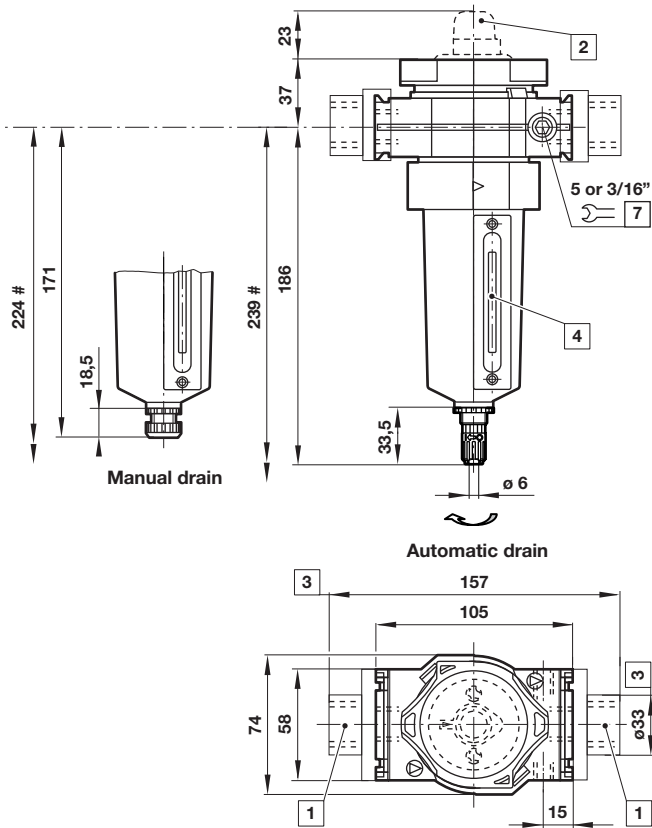
Bracket mounting	Nut	Yoke connector kit	Porting block	Adjustable pressure switch	Padlock with two keys
1	4	9			
74504-50	74502-89	74503-51	74507-50	4346-99	0613633 (brass)

Service kit

Service kit Automatic drain	Service kit Manual drain
F64G-KITA40	F64G-KITM40

Basic dimensions

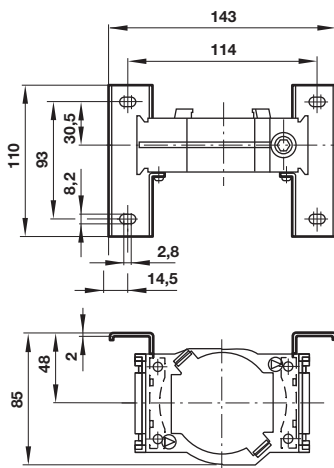
Dimensions in mm
Projection/First angle



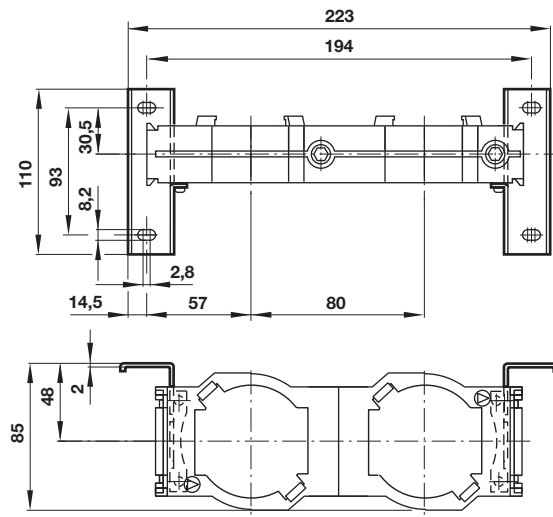
Minimum clearance required to remove bowl

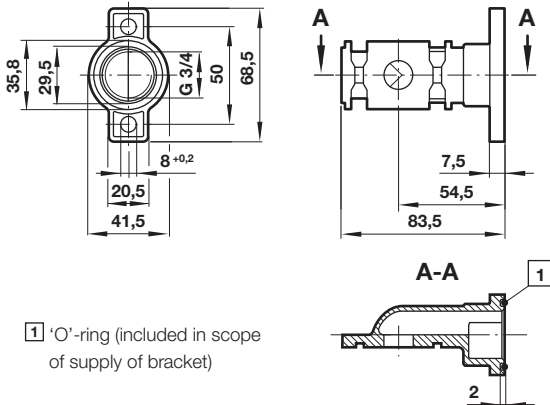
- 1 Main ports 1/4", 3/8", 1/2" or 3/4"
- 2 Service indicator optional
- 3 For main ports 3/4" only
- 4 Sight glass
- 7 Gauge port 1/8"

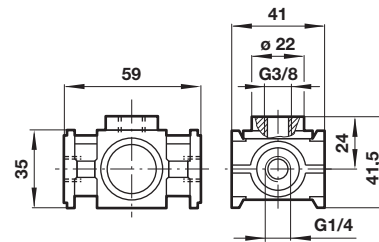
Single yoke with bracket mounting



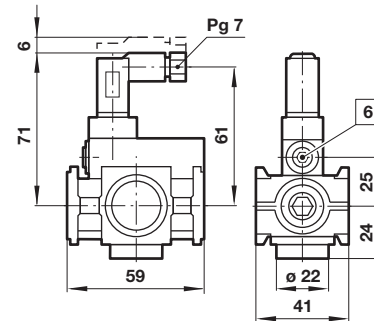
Double yoke with bracket mounting



Rear entry bracket
18-026-981

Porting block
74507-50

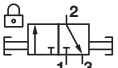
 Dimensions in mm
 Projection/First angle

Adjustable pressure switch
4346-99

Voltage	24 V d.c./240 V a.c.
Current	0,5 A (d.c.); 5 A (a.c.)
Pressure range	2 ... 10 bar
Repeatability	2% of full set point range at 20°C
Average deadband	0,8 ... 1,7 bar
Electrical connection (corresponding to chosen coil)	EN 175301-803 - Form C, 15 mm
Degree of protection:	IP65
Adjustable	Standard
Material	Body: Aluminium, Elastomers: NBR

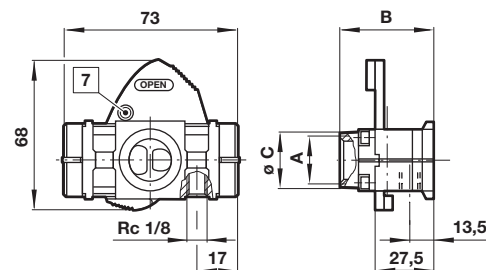


[6] Adjusting screw

3/2 Shut-off valve

Symbol	A	B	ø C	Model
	G1/4	48	27	T64T-2G*-P1N
	G3/8	48	27	T64T-3G*-P1N
	G1/2	48	27	T64T-4G*-P1N
	G3/4	51	33	T64T-6G*-P1N

* B = Threaded inlet only, C = Threaded outlet only



[7] Padlock hole ø7,5 mm

Warning

These products are intended for use in industrial compressed air systems only. Do not use these products where pressures and temperatures can exceed those listed under

»Technical features/data«.

Before using these products with fluids other than those specified, for non-industrial applications, life-support systems or other applications not within published specifications, consult IMI Precision Engineering, IMI International s.r.o.

Through misuse, age, or malfunction, components used in fluid power systems can fail in various modes.

The system designer is warned to consider the failure modes of all component parts used in fluid power systems and to provide adequate safeguards to prevent personal injury or damage to equipment in the event of such failure.

System designers must provide a warning to end users in the system instructional manual if protection against a failure mode cannot be adequately provided.

System designers and end users are cautioned to review specific warnings found in instruction sheets packed and shipped with these products.

- > **Port size: 3/4" ... 1 1/2"** (ISO G/ PTF)
- > **Olympian Plus plug in system**
- > **Effective liquid removal and positive solid particle filtration**
- > **Large filter element area provides minimum pressure drop**



Technical features

Medium:

Compressed air only

Maximum operating pressure:

17 bar (246 psi)

Filter element:

40 µm (standard), 5 µm optional

Port sizes:

3/4", 1", 1 1/4" or 1 1/2"

Flow:

See table below

Drain:

Manual or automatic

Automatic drain conditions:

Pressure to close drain:

> 0,3 bar (4.3 psi)

Pressure to open drain:

< 0,2 bar (2.9 psi)

Minimum air flow to close drain:

0,6 dm³/s (1.3 scfm)

Service life indicator:

Available on request

Bowl size:

0,5 litre (17 fluid oz standard);

1 litre (34 fluid oz optional)

Standard compliances:

II 2G Ex h IIC T6 Gb

II 2D Ex h IIIC T85° Db

Ambient/Media temperature:

-20 ... +80°C (-4 ... +176°F)

Air supply must be dry enough to avoid ice formation at temperatures below +2°C (+35°F).

Materials:

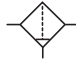

Body, yoke and bowl: Aluminium

Liquid level indicator: Pyrex

Element: Sintered plastic

Elastomers: NBR

Technical data - standard models

Symbol	Port size	Size	Drain	Filter element (µm)	Flow *1) (dm ³ /s)	Weight (kg)	Model
	G3/4	—	Manual	40	160	2,45	F68G-6GN-MR3
	G1	Basic	Manual	40	190	2,33	F68G-8GN-MR3
	G1 1/4	—	Manual	40	200	2,43	F68G-AGN-MR3
	G1 1/2	—	Manual	40	200	2,30	F68G-BGN-MR3
	Without yoke	—	Manual	40			F68G-NNN-MR3
	G3/4	—	Automatic	40	160	2,45	F68G-6GN-AR3
	G1	Basic	Automatic	40	190	2,33	F68G-8GN-AR3
	G1 1/4	—	Automatic	40	200	2,43	F68G-AGN-AR3
	G1 1/2	—	Automatic	40	200	2,30	F68G-BGN-AR3
	Without yoke	—	Automatic	40			F68G-NNN-AR3

*1) Typical flow with inlet pressure 6,3 bar (91 psi) set pressure and 0,5 bar (7 psi) drop from set.

Option selector

F68★-★-★-★-★-★

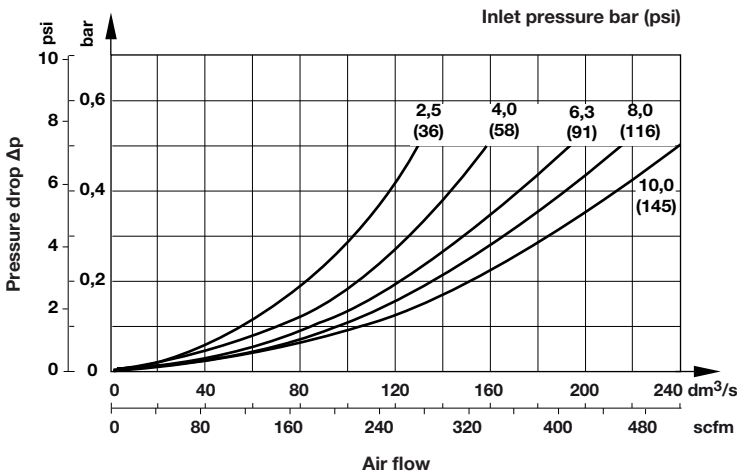
Version	Substitute
Long bowl (1 litre)	E
Standard bowl (0,5 litre)	G
Port size	Substitute
3/4"	6
1"	8
1 1/4"	A
1 1/2"	B
Without yoke	N
Thread	Substitute
NPT	A
ISO G parallel (standard)	G
Without yoke (standard)	N
Service life indicator	Substitute
Without (standard)	N
Mechanical	D
Electrical	E

Element	Substitute
5 µm	1
40 µm (standard)	3
Bowl	Substitute
0,5 l with liquid level indicator (standard)	R
1 l with liquid level indicator	U *1)
0,5 l no liquid level indicator	M
1 l no liquid level indicator	C *1)
Drain	Substitute
Automatic	A
Manual, spindle type	M

*1) Units with 1 litre bowl are available only with 'E' version only; therefore substitute E at the 4th digit and U or C at the 9th position.



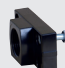




Flow characteristics

Port size 1", 40 µm element



Accessories, service kit and gauges

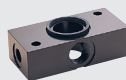
Accessories

	Single yoke	Double yoke	End connector kit	Single yoke non threads	3/2 Shut-off valve Threaded inlet only	Threaded outlet only	Bracket mounting
							
Thread	5	5	2	5	8	8	1
G3/4	Y68A-6GN-N1N	Y68A-6GN-N2N	5524-55	74785-98	T68H-6GB-B2N	T68H-6GC-B2N	18-001-979
G1	Y68A-8GN-N1N	Y68A-8GN-N2N	5524-52		T68H-8GB-B2N	T68H-8GC-B2N	18-001-979
G1 1/4	Y68A-AGN-N1N	Y68A-AGN-N2N	5523-52		T68H-AGB-B2N	T68H-AGC-B2N	18-001-978
G1 1/2	Y68A-BGN-N1N	Y68A-BGN-N2N	5523-93		T68H-BGB-B2N	T68H-BGC-B2N	18-001-972
3/4 PTF	Y68A-6AN-N1N	Y68A-6AN-N2N	5524-53		T68H-6AB-B2N	T68H-6AC-B2N	18-001-979
1 PTF	Y68A-8AN-N1N	Y68A-8AN-N2N	5524-50		T68H-8AB-B2N	T68H-8AC-B2N	18-001-979
1 1/4 PTF	Y68A-AAN-N1N	Y68A-AAN-N2N	5523-50		T68H-AAB-B2N	T68H-AAC-B2N	18-001-978
1 1/2 PTF	Y68A-BAN-N1N	Y68A-BAN-N2N	5523-95		T68H-BAB-B2N	T68H-BAC-B2N	18-001-972

Nut

4

5520-89

Porting block


18-026-986 (G1/4 & G1/2)

Service kit
Service kit manual drain

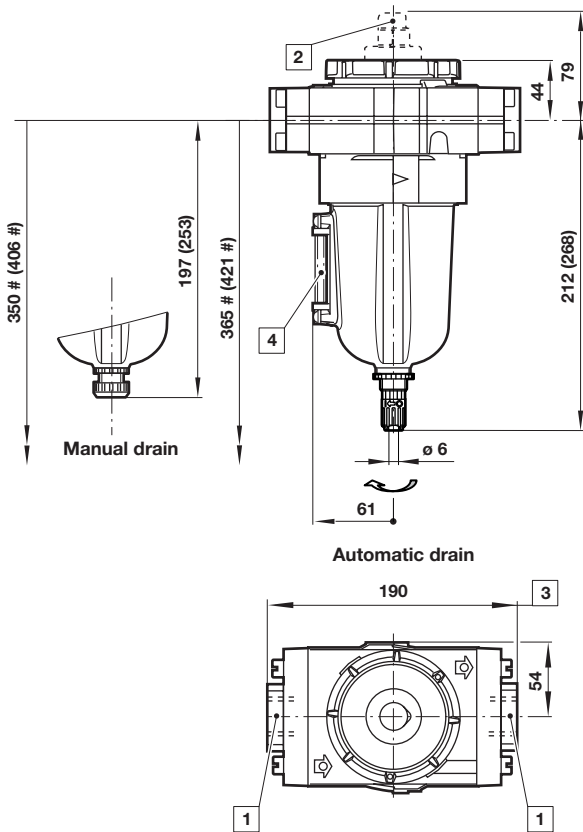

F68G-KITM40

Service kit automatic drain


F68G-KITA40

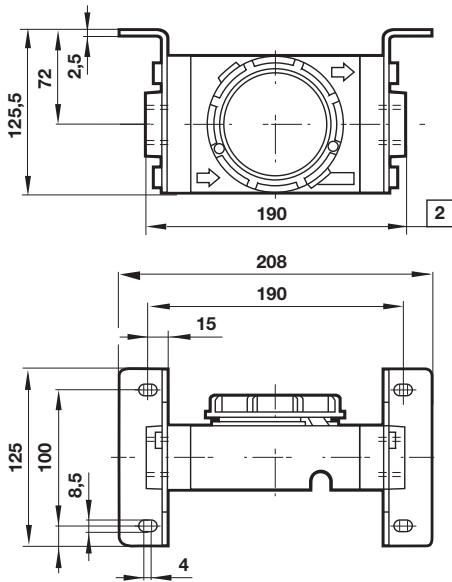
Dimensions

Dimensions in mm
Projection/First angle



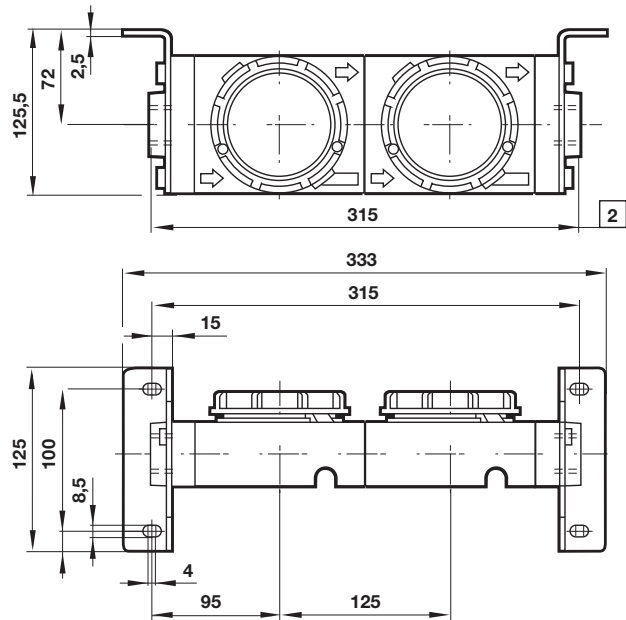
- # Minimum clearance required to remove bowl
- () values for 1 litre bowl
- 1 Main ports 3/4", 1", 1 1/4" or 1 1/2"
- 2 Service life indicator optional
- 3 Plus 10 mm for ports 1 1/4" or 1 1/2"
- 4 Sight glass

Single yoke with bracket

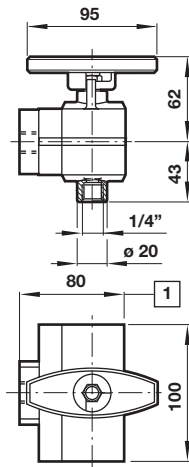


1 For 1 1/4" and 1 1/2" ported yokes add 10 mm

Double yoke with bracket



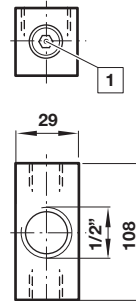
1 For 1 1/4" and 1 1/2" ported yokes add 10 mm

3/2 Shut-off valve


1 For 1 1/2" ported yokes add 5 mm

Porting block

Dimensions in mm
Projection/First angle



1 Two additional plugged G1/4 ports

Warning

These products are intended for use in industrial compressed air systems only. Do not use these products where pressures and temperatures can exceed those listed under »**Technical features/data**«.

Before using these products with fluids other than those specified, for non-industrial applications, life-support systems or other applications not within published specifications, consult IMI Precision Engineering, IMI International s.r.o.

Through misuse, age, or malfunction, components used in fluid power systems can fail in various modes. The system designer is warned to consider the failure modes of all component parts used in fluid power systems and to provide adequate safeguards to prevent personal injury or damage to equipment in the event of such failure.

System designers must provide a warning to end users in the system instructional manual if protection against a failure mode cannot be adequately provided.

System designers and end users are cautioned to review specific warnings found in instruction sheets packed and shipped with these products.

- > **Port size: 1/4" ... 1/2"**
(ISO G/PTF)
- > **Excelon design allows in-line installation or modular installation with other Excelon products**
- > **Quick release bayonet bowl**



Technical features

Medium:

Compressed air only

Maximum operating pressure:

Transparent bowls:

10 bar (150 psi)

Metal bowls:

17 bar (250 psi)

Filter element:

5 or 40 µm

Port size:

G1/4, G3/8, G1/2,

1/4 PTF, 3/8 PTF, 1/2 PTF

Flow:

35 dm³/s at port size: G3/8

Inlet pressure: 6,3 bar (91 psi)

Δp: 0,5 bar (7.2 psi)

Filter element: 40 µm

Drain:

Manual or automatic

Automatic drain operating conditions (float operated):

Bowl pressure required to close drain: > 0,3 bar (5 psi)

Bowl pressure required to open drain: ≤ 0,2 bar (3 psi)

Minimum air flow required to close drain: 0,1 dm³/s (0.2 scfm)

Manual operation: depress pin inside drain outlet to drain bowl

Service life indicator:

Available on request

Ambient/Media temperature:

Transparent bowl:

-34 ... +50°C (-30 ... +125°F)

Metal bowl:

-34 ... +80°C (-30 ... +175°F)

Air supply must be dry enough

to avoid ice formation at temperatures below +2°C (+35°F).

Materials:

Body: die cast aluminium

Bowl: Transparent PC alternative

transparent PC with steel guard

alternative aluminium

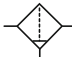

Liquid level indicator lens (metal

bowl): transparent PA

Filter element: sintered PP

Elastomers: CR & NBR

Technical data - standard models

Symbol	Port size	Size	Drain	Filter element (µm)	Bowl	Weight (kg)	Model
	G1/4	—	Manual	40	PC (transparent)	0,50	F73G-2GN-QT3
	G3/8	Basic	Manual	40	PC (transparent)	0,50	F73G-3GN-QT3
	G1/2	—	Manual	40	PC (transparent)	0,50	F73G-4GN-QT3
	G1/4	—	Manual	5	PC (transparent)	0,50	F73G-2GN-QT1
	G3/8	Basic	Manual	5	PC (transparent)	0,50	F73G-3GN-QT1
	G1/2	—	Manual	5	PC (transparent)	0,50	F73G-4GN-QT1
	G1/4	—	Automatic	40	PC (transparent)	0,50	F73G-2GN-AT3
	G3/8	Basic	Automatic	40	PC (transparent)	0,50	F73G-3GN-AT3
	G1/2	—	Automatic	40	PC (transparent)	0,50	F73G-4GN-AT3
	G1/4	—	Automatic	5	PC (transparent)	0,50	F73G-2GN-AT1
	G3/8	Basic	Automatic	5	PC (transparent)	0,50	F73G-3GN-AT1
	G1/2	—	Automatic	5	PC (transparent)	0,50	F73G-4GN-AT1

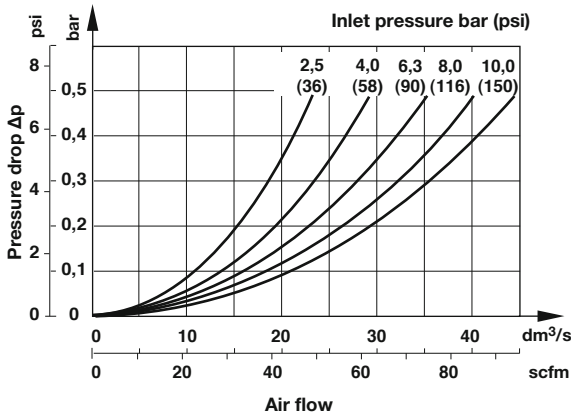
Option selector

F73G-★★★★★★

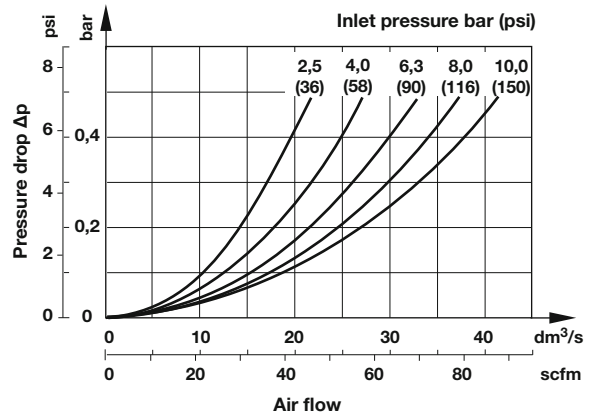
Port size	Substitute	Filter element	Substitute
1/4"	2	5 µm (standard)	1
3/8"	3	40 µm (standard)	3
1/2"	4		
Thread form	Substitute	Bowl	Substitute
PTF	A	Transparent (standard)	T
ISO G parallel (standard)	G	Metal	D
		Transparent with guard	P
Service life indicator	Substitute		
Without (standard)	N		
With	D		
Drain	Substitute		
Manual	Q		
Automatic	A		

Flow characteristics

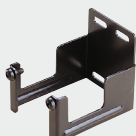






Element 40 µm
 Port size G3/8



Element 5 µm
 Port size G3/8






Accessories

Wall mounting bracket	Quikclamp®	Quikclamp with wall bracket®	Quikmount pipe adaptor *1)	Porting block with three alternative 1/4" ports	2/2 Shut-off valves (for full technical specification see datasheet 8.180.600)	3/2 Shut-off valves (for full technical specification see datasheet 8.180.600)
						
Page 3	Page 3	Page 3	Page 3	Page 3	Page 3	Page 3
4424-50	4314-51	4314-52	G1/4: 4315-09 G3/8: 4315-10 G1/2: 4315-11 1/4 PTF: 4315-01 3/8 PTF: 4315-02 1/2 PTF: 4315-03	G1/4: 4316-52 1/4 PTF: 4316-50	G1/4: T73B-2GA-P1N G3/8: T73B-3GA-P1N G1/2: T73B-4GA-P1N 1/4 PTF: T73B-2AA-P1N 3/8 PTF: T73B-3AA-P1N 1/2 PTF: T73B-4AA-P1N	G1/4: T73T-2GA-P1N G3/8: T73T-3GA-P1N G1/2: T73T-4GA-P1N 1/4 PTF: T73T-2AA-P1N 3/8 PTF: T73T-3AA-P1N 1/2 PTF: T73T-4AA-P1N




*1) Please use a Quikmount pipe adaptor if the Quikclamp be mounted at inlet or outlet side.

Pressure switch

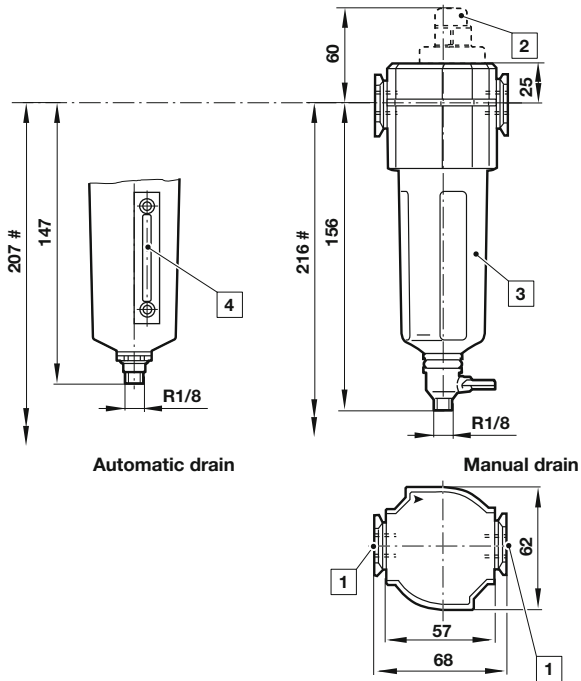
Porting block for pressure switch	Pressure switch (0,5 ... 8 bar)	Padlock (brass) with two keys *1)
		
Page 3		
0523110000000000	0881300000000000	0613633000000000

*1) for shut-off valves

Service kits

Manual drain	Automatic drain	Replacement element
		
F73G-KITM40 (40 µm)	F73G-KITA40 (40 µm)	4438-03 (40 µm) 4438-01 (5 µm)

Drawings

 Dimensions in mm
 Projection/First angle


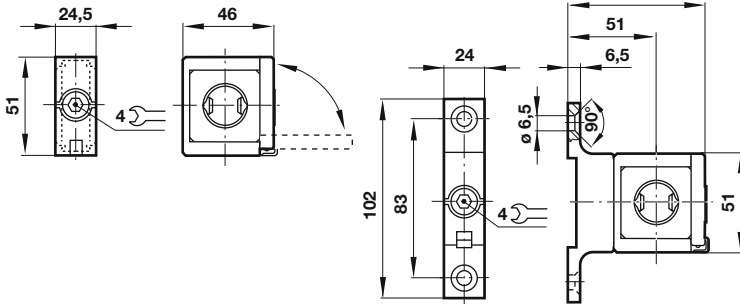
Minimum clearance required to remove bowl

- 1 Main ports 1/4", 3/8" or 1/2"
- 2 Service life indicator optional
- 3 Transparent bowl with or without guard
- 4 Metal bowl with liquid level indicator lens

Accessories

Quikclamp®

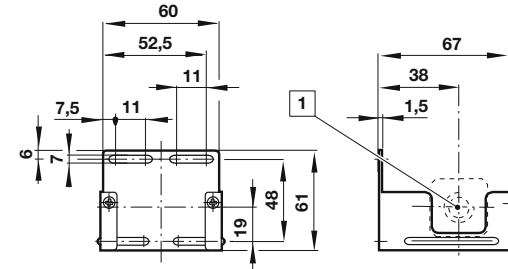
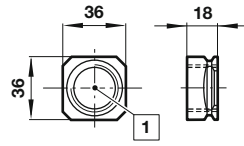
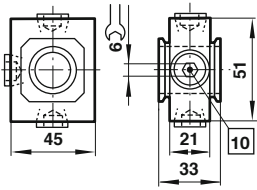
Quikclamp® with wall bracket



Porting block

Pipe adapter

Wall mounting bracket



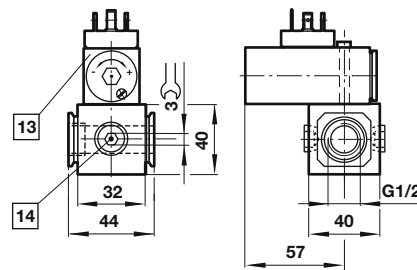
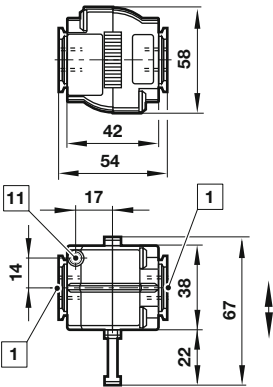
10 Ports 1/4" ISO G/PTF plugged

1 Main ports 3/8", 1/2" or 3/4"
(ISO G/PTF)

1 Main ports
(ISO G/PTF)

Shut-off valves

Porting block for pressure switch



1 Main ports 1/4", 3/8" or 1/2"
(ISO G/PTF)

13 Pressure switch is not in scope of delivery
14 Alternative G1/4 ports plugged

11 Exhaust port M5 at 3/2 valve only

Warning

These products are intended for use in industrial compressed air systems only. Do not use these products where pressures and temperatures can exceed those listed under »**Technical features/data**«.

Before using these products with fluids other than those specified, for non-industrial applications, life-support systems or other applications not within published specifications, consult IMI Precision Engineering, Norgren Inc.

Through misuse, age, or malfunction, components used in fluid power systems can fail in various modes. The system designer is warned to consider the failure modes of all component parts used in fluid power systems and to provide adequate safeguards to prevent personal injury or damage to equipment in the event of such failure.

System designers must provide a warning to end users in the system instructional manual if protection against a failure mode cannot be adequately provided.

System designers and end users are cautioned to review specific warnings found in instruction sheets packed and shipped with these products.

F84G - General purpose filter Excelon® Plus Modular System



- > Port size: 3/8" ... 3/4" (ISO G/PTF)
- > Excelon® Plus design allows in-line installation or modular installation with other Excelon® Plus products
- > 5 or 40 micron particle and high efficiency water removal (> 98%)
- > Double safety lock bowl
- > Metal bowl with prismatic liquid level indicator lens
- > Light weight polycarbonate bowl
- > Air purity classes in accordance to ISO8573-1:2010:
7:8:4 (40µm)
6:8:4 (5µm)



Technical features

Medium:

Compressed air only

Maximum supply pressure:

Polycarbonate bowl: 10 bar (145 psi)

Metal bowl: 20 bar (290 psi)

Filter element:

5 µm & 40 µm

Port size:

G3/8, G1/2, G3/4,

3/8 PTF, 1/2 PTF, 3/4 PTF

Flow:

78 dm³/s

at port size: 1/2",

operating pressure 6,3 bar (91 psi) and a Δp: 0,5 bar (7,25 psi) drop from set.

Filter element: 40 µm

Drain:

Manual or automatic

Automatic drain operating conditions (float operated):

Bowl pressure required to close drain: > 0,35 bar (5 psi)

Bowl pressure required to open drain: ≤ 0,2 bar (2,9 psi)

Minimum air flow required to close drain: 1 dm³/s (2 scfm)

Ambient/Media temperature:

Polycarbonate bowl:

-10 ... +60°C (14 ... +140°F)

Metal bowl:

-20 ... +65°C (-4 ... +149°F)

Air supply must be dry enough

to avoid ice formation at temperatures below +2°C (+35°F).

Atex:

Filters F84 are in conformity with Atex 2014/34/EU

Ex II 2 GD

Ex h IIC T6 Gb

EX h IIIC T85°C Db

Materials:

Body: Die cast aluminium

Body covers: ABS

Transparent Bowl : Polycarbonate with Polypropylene Guard.

Metal Bowl: Die cast Aluminium with PA liquid level indicator lens

Filter element: sintered PP

Bowl 'o'- ring: Chloroprene

Elastomers: NBR

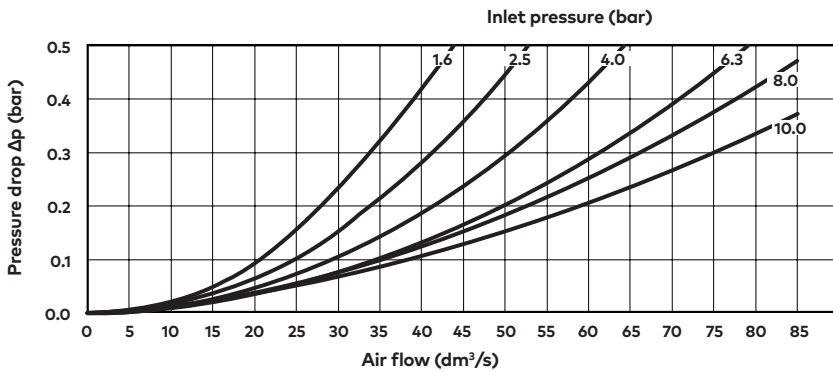
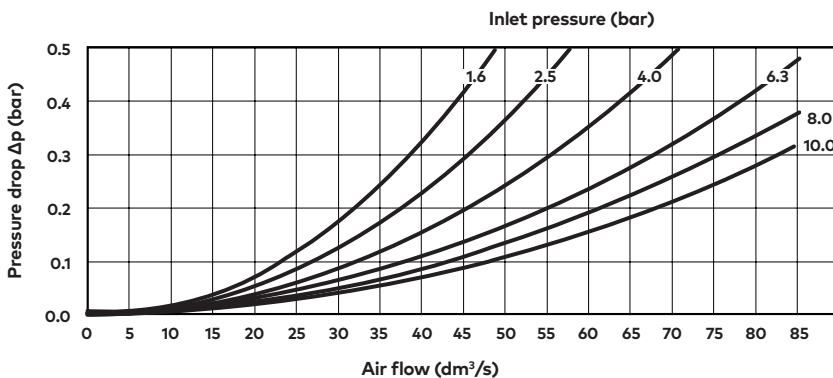
Technical data F84G - standard models

Symbol	Port size	Drain	Filter element (µm)	Bowl	Weight (kg)	Model
	G3/8	Auto	40	Guarded polycarbonate	0,38	F84G-3GN-AP3
	G1/2	Auto	40	Guarded polycarbonate	0,38	F84G-4GN-AP3
	G3/4	Auto	40	Guarded polycarbonate	0,38	F84G-6GN-AP3
	G3/8	Auto	40	Metal with level indicator	0,52	F84G-3GN-AD3
	G1/2	Auto	40	Metal with level indicator	0,52	F84G-4GN-AD3
	G3/4	Auto	40	Metal with level indicator	0,52	F84G-6GN-AD3
	G3/8	Manual	40	Guarded polycarbonate	0,38	F84G-3GN-QP3
	G1/2	Manual	40	Guarded polycarbonate	0,38	F84G-4GN-QP3
	G3/4	Manual	40	Guarded polycarbonate	0,38	F84G-6GN-QP3
	G3/8	Manual	40	Metal with level indicator	0,52	F84G-3GN-QD3
	G1/2	Manual	40	Metal with level indicator	0,52	F84G-4GN-QD3
	G3/4	Manual	40	Metal with level indicator	0,52	F84G-6GN-QD3

Option selector
F84G-*N-*****

Port size	Substitute
3/8"	3
1/2"	4
3/4"	6
Thread form	Substitute
PTF	A
ISO G parallel (standard)	G
Drain	Substitute
Manual (standard)	Q
Auto drain (standard)	A

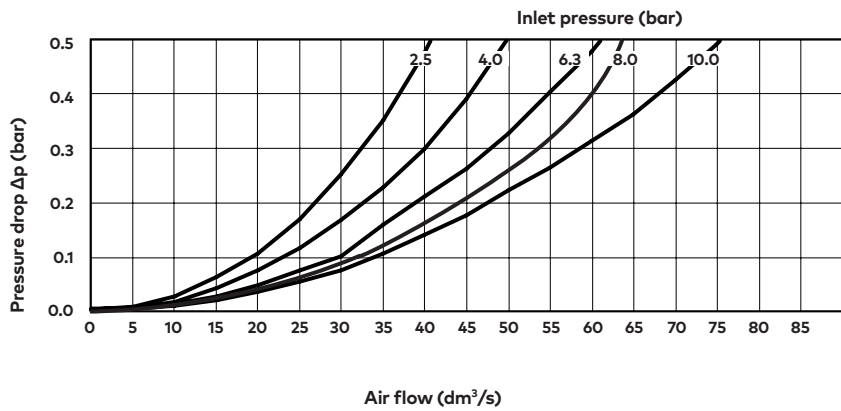
Element	Substitute
5 µm	1
40 µm (standard)	3
Bowl	Substitute
Transparent with guard (standard)	P
Metal with liquid indicator (optional)	D

Flow characteristics
Element 40 µm
Port size: 1/2"

Element 5 µm
Port size: 1/2"


Flow characteristics

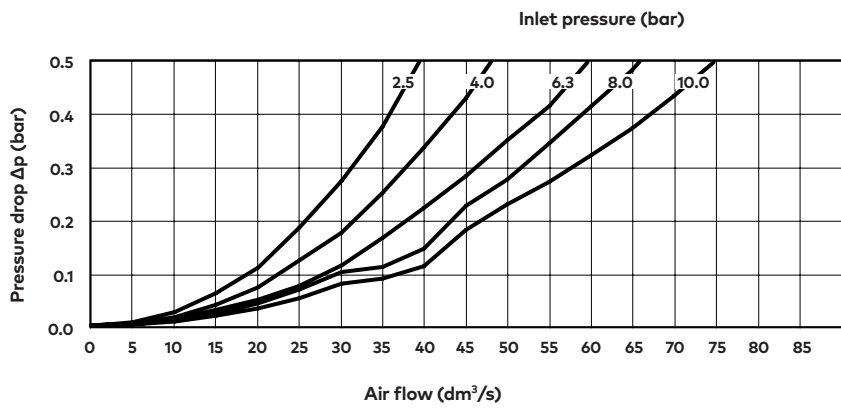
Element 40 µm

Port size: 3/8"



Element 5 µm

Port size: 3/8"



Accessories

Wall mounting bracket



Page 6

840024-50KIT

Quikclamp®



Page 6

840014-51KIT

Quikclamp® with bracket assembled



Page 6

840014-52KIT

Hybrid Quikclamp® *1



Page 6

840014-61

Hybrid Quikclamp® with bracket assembled *1



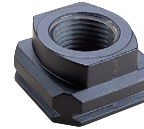
Page 6

840014-62

*1) To connect new Excelon Plus to old Excelon 74/73 units. Having the same hole centres as 74 series mounting bracket.

A Quikclamp adds 13.6 mm to the overall width of a combination unit

Port Adaptors



Page 7

3/8 PTF	840015-02KIT
1/2 PTF	840015-03KIT
3/4 PTF	840015-04KIT
G3/8	840015-10KIT
G1/2	840015-11KIT
G3/4	840015-12KIT

Pressure sensing block 1/4 PTF



Page 6

840016-50KIT

Pressure sensing block G1/4



Page 6

840016-51KIT

Full flow porting block 3/4" PTF



Page 6

840028-50KIT

Full flow porting block G3/4



Page 6

840028-53KIT

Full flow porting block 3/4" PTF



Page 6

840028-68KIT

Full flow porting block G3/4



Page 6

840028-69KIT

Pressure switch interface block (18D pressure switch) G1/4



Page 8

033771700000000

Pressure switch 18D (0,5 ... 8bar) *1



Page 8

0881300

Digital pressure switch 51D (-1 ... 10 bar) *2



Page 8

0860810

Electronic Pressure Sensor – stand alone version *3



Q84G

IO-Link cables

Connection cable M8x1 for intergated digital pressure switch



Description	Cable length (m)	Model
M8 female to M12 male	0,6	NC-084FS-124MS-A
	1,0	NC-084FS-124MS-1
	2,0	NC-084FS-124MS-2
	5,0	NC-084FS-124MS-5
M8 female to free end	3,0	NC-084FS-00000-3

*1) Flanged version. For other pressure ranges, please see data sheet 5.11.001

*2) For other pressure ranges, please see data sheet 5.11.385

*3) Q84G standalone electronic pressure sensor module

see <http://s.norgren.com/digital-gauge-iodd> for data-sheet 8.900.905.

Maintenance/Service
**Filter cartridge
5 micron**


840038-50KIT

**Filter cartridge
40 micron**


840038-51KIT

**Auto drain kit with
metal Nut - Imperial**


6000-61KIT

**Auto drain kit with
metal Nut - Metric**


6000-60KIT

Spare parts
**Filter Bowl (Guarded Poly bowl
with auto drain 6 mm PIF)**


840025-51KIT

**Filter Bowl (Guarded Poly
bowl with manual drain)**


840025-50KIT

**Filter Bowl (Metal with S/
Glass & auto drain, 6 mm PIF)**


840003-51KIT

**Filter Bowl (Metal with S/
Glass & manual drain)**


840003-50KIT

**Filter Bowl (Guarded Poly
bowl with auto drain, 1/4 PIF)**

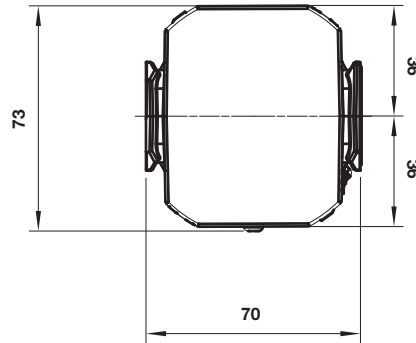
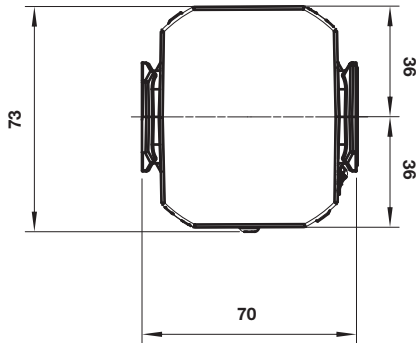
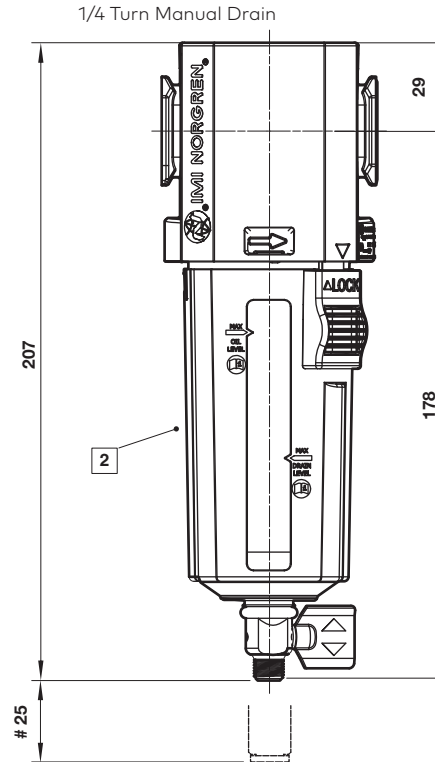
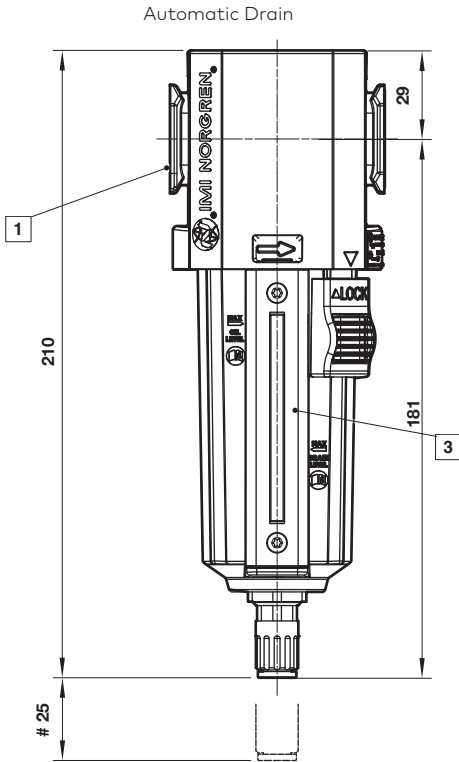

840025-53KIT

**Filter Bowl (Metal with S/
Glass & auto drain, 1/4 PIF)**


840003-56KIT

Dimensions

Dimensions in mm
Projection/First angle

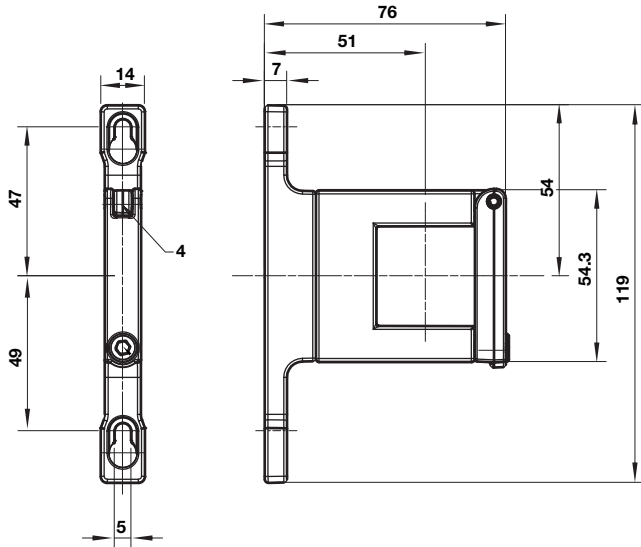
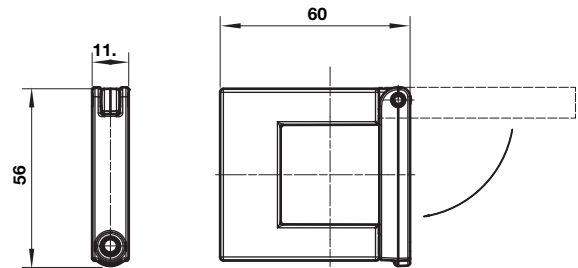
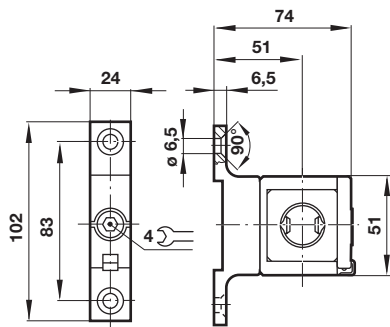
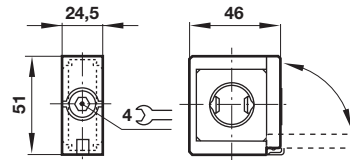
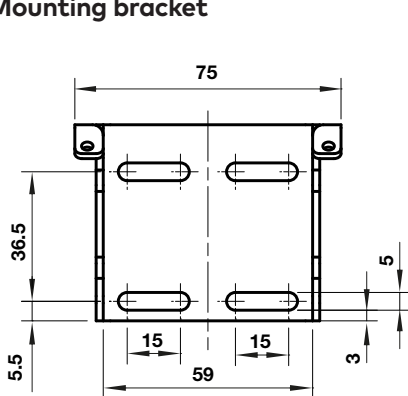
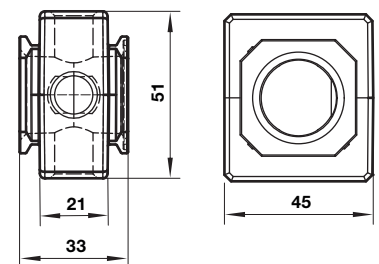


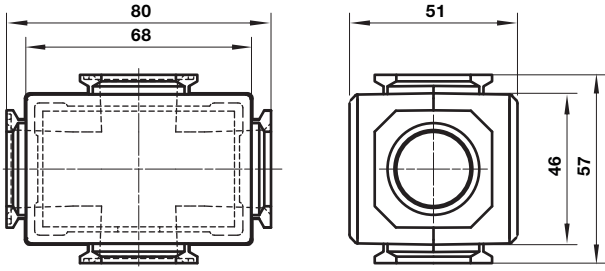
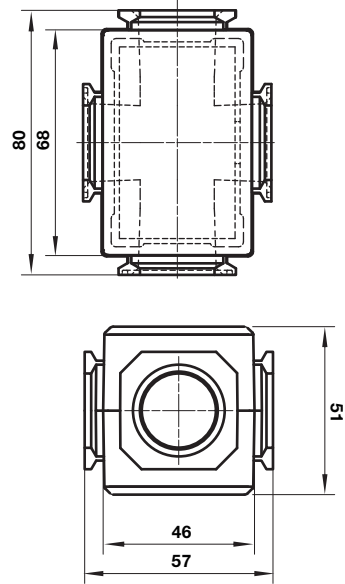
Minimum clearance for bowl removal

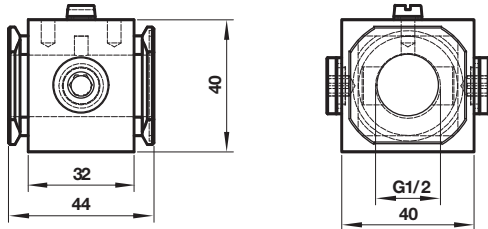
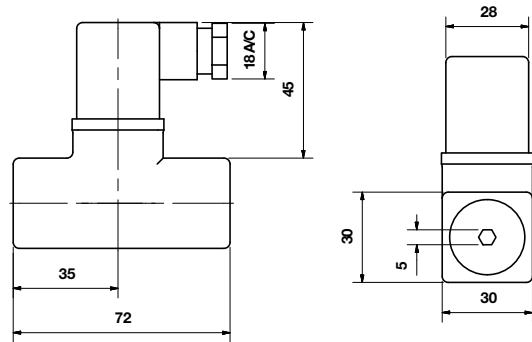
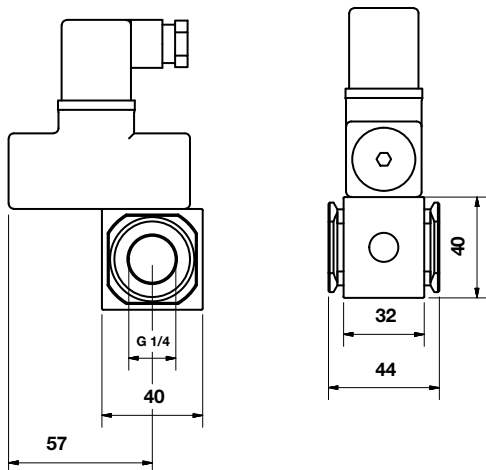
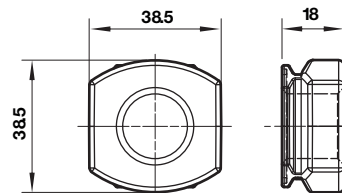
- 1 Main ports 3/8", 1/2" or 3/4"
(ISO G/PTF)
- 2 Transparent bowl with guard
- 3 Metal bowl with liquid level indicator lens

Accessories

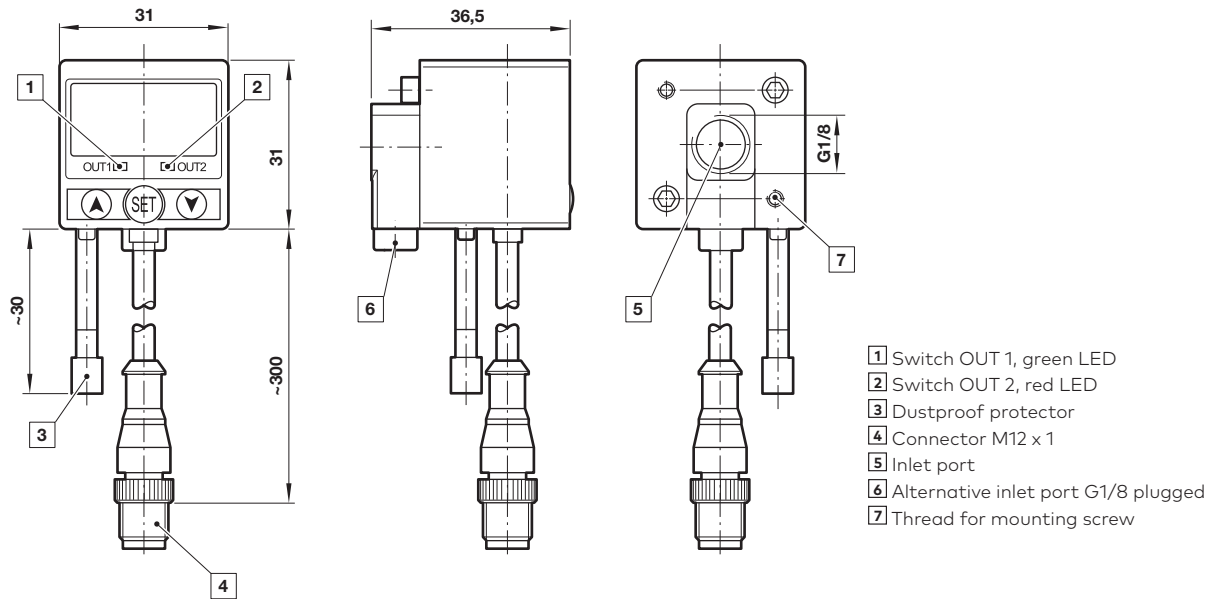
 Dimensions in mm
 Projection/First angle

Quikclamp® with wall bracket

Quikclamp®

Hybrid-Quikclamp® with wall bracket

Hybrid-Quikclamp®

Mounting bracket

Pressure sensing block


Full flow porting block horizontal

Full flow porting block vertical

 Dimensions in mm
 Projection/First angle

Porting block for 18D pressure switch

18D Pressure switch

18D Porting block and 18D assembled

Pipe adaptor


51D Pressure switch - digital



- 1 Switch OUT 1, green LED
- 2 Switch OUT 2, red LED
- 3 Dustproof protector
- 4 Connector M12 x 1
- 5 Inlet port
- 6 Alternative inlet port G1/8 plugged
- 7 Thread for mounting screw

Warning

These products are intended for use in industrial compressed air systems only. Do not use these products where pressures and temperatures can exceed those listed under »**Technical features/ data**«.

Before using these products with fluids other than those specified, for non-industrial applications, life-support systems or other applications not within published specifications, consult Norgren Ltd.

Through misuse, age, or malfunction, components used in fluid power systems can fail in various modes.

The system designer is warned to consider the failure modes of all component parts used in fluid power systems and to provide adequate safeguards to prevent personal injury or damage to equipment in the event of such failure.

System designers must provide a warning to end users in the system instructional manual if protection against a failure mode cannot be adequately provided.

System designers and end users are cautioned to review specific warnings found in instruction sheets packed and shipped with these products.